

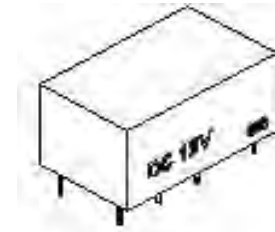
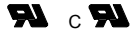
T2S

PIC RELAY

Subminiature Light Duty RELAY

FEATURES

Ultra high sensitivity
 Dual-in line configuration as IC (2.54mm)
 Conforms to FCC Part 68 1500V surge and dielectric 1000VAC
 Fully Sealed



SPECIFICATIONS

COIL RATING

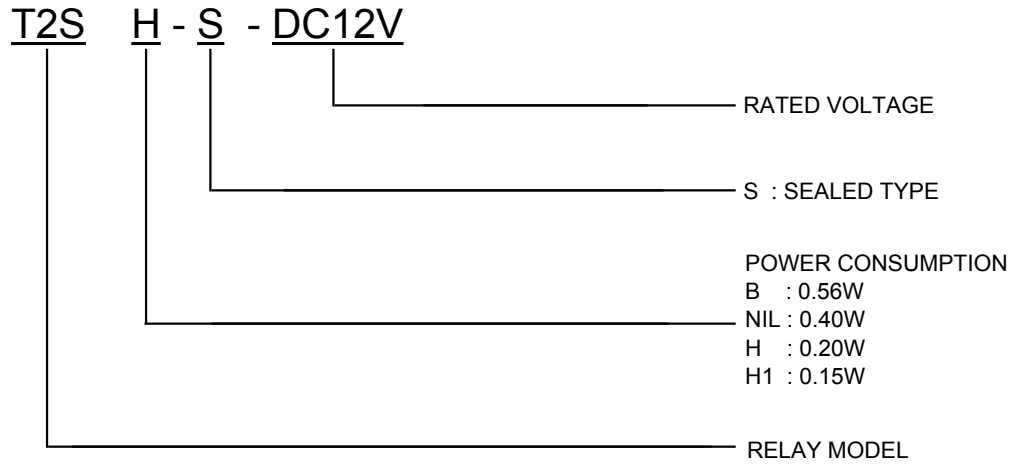
RATED VOLTAGE (V DC)	COIL RESISTANCE Ω +/- 10 %				MUST OPERATE VOLTAGE	MUST DROPOUT VOLTAGE	MAXIMUM VOLTAGE	POWER CONSUMPTION (W)
	T2SB	T2S	T2SH	T2SH-1				
	(0.56W)	(0.40W)	(0.20W)	(0.15W)				
					% OF RATED VOLTAGE (AT +20°C)			(APPROX.)
3	16	22.5	45	60	70 Max.	10 Min. (5 Min. for T2SH1 only)	T2SB : 140 Max. T2S : 160 Max. T2SH : 210 Max. T2SH1 : 250 Max.	T2SB : 0.56W T2S : 0.40W T2SH : 0.20W T2SH1 : 0.15W
5	45	62.5	125	167				
6	66	90	180	240				
9	140	203	405	540				
12	280	360	720	960				
24	1070	1440	2880	—				
48	3900	5760	11520	—				

CHARACTERISTICS

Contact Arrangement	DPDT (2 form C)
Contact Material	Silver Alloy (Gold Plated)
Contact Resistance	100m Ω Max.
Contact Rating (Resistive Load)	2A 30VDC/ 0.6A 125VAC
Switching Voltage	DC 220V/ AC 250V Max.
Switching Power	60W/ 125VA
Operate Time (Initial)	4.5ms Approx.
Release Time (Initial)	1.5ms Approx.
Electrostatic Capacitance	0.7 PF Approx. Between open contacts 1.0 PF Approx. Between coil and contact 0.9 PF Approx. Between contact sets
Insulation Resistance	1000M Ω Min. (at 500VDC)
Dielectric Strength	1000Vrms, 1 minute between open contacts 1000Vrms, 1 minute between coil and contact
Surge Withstand Voltage (FCC)	1500V
Shock Resistance	Functional : 10g (11ms) Destructive : 100g (6ms)
Vibration	Functional : 1.5mm D.A. 10-55Hz Destructive : 1.5mm D.A. 10-55Hz
Ambient Temperature	T2SB : -40°C to +65°C T2S : -40°C to +70°C T2SH/ T2SH1 : -40°C to +90°C
Operation Life	Mechanical : 1×10^7 Electrical : 1×10^5 (AgNi); 3×10^5 (AgPd)
Weight	4.5g Approx.

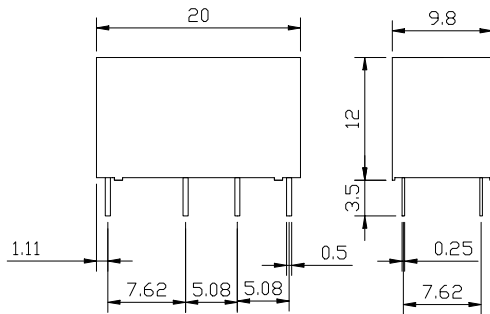
[Specifications are subject to change without notices.]

ORDERING INFORMATION

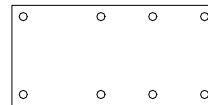


(i.e. T2SH1-S-DC5V is a DPDT, 0.15W, fully sealed, 5VDC coil relay.)

DIMENSIONS (UNIT:mm)



MOUNTING HOLES



TERMINAL ARRANGEMENT (BOTTOM VIEW)

