

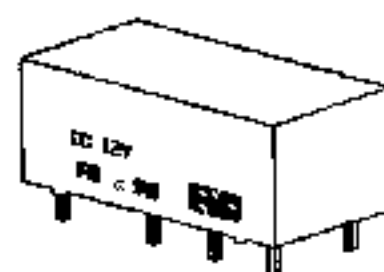
T2N

PIC RELAY

Subminiature Light Duty RELAY

FEATURES

- Low power consumption 150mW
- Low profile and light weight
- Dual-in line configuration as IC (2.54mm)
- Use on telecommunications, remote control etc.
- Sealed type



SPECIFICATIONS

COIL RATING

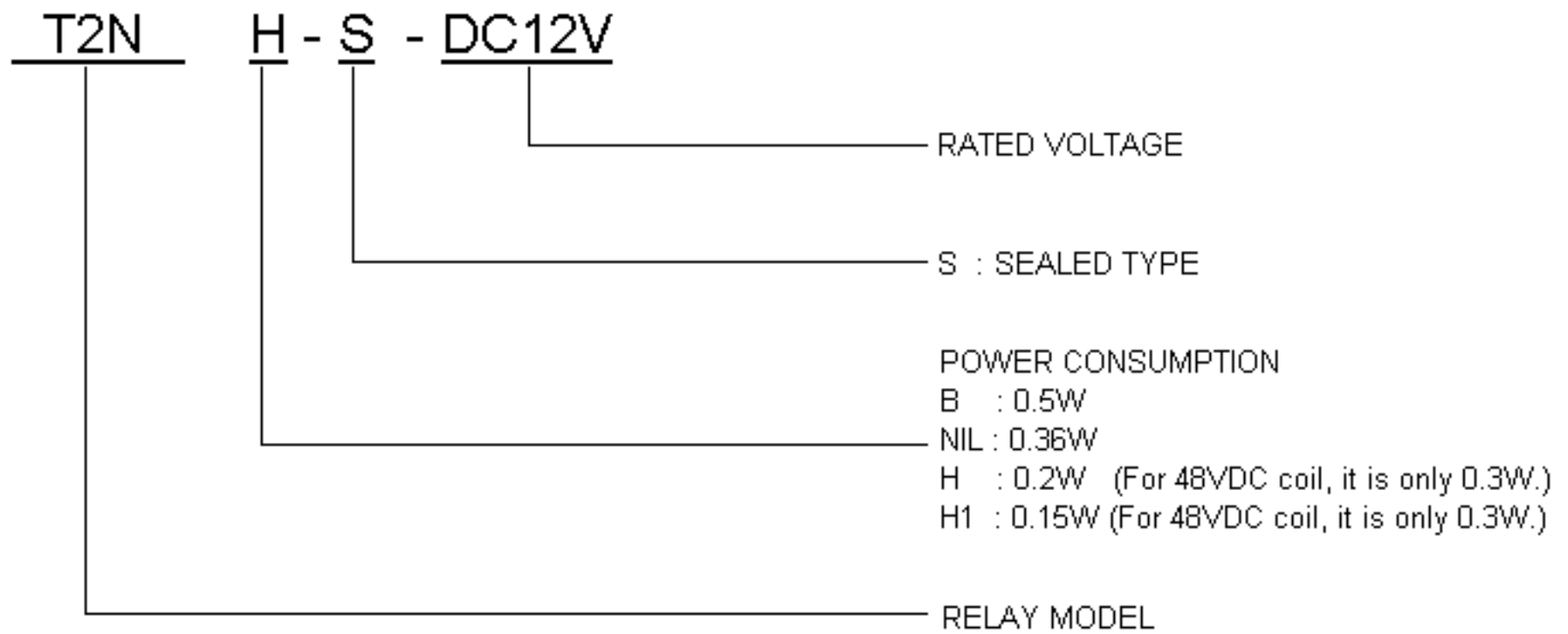
RATED VOLTAGE (V DC)	COIL RESISTANCE Ω +/- 10 %				MUST OPERATE VOLTAGE	MUST DROPOUT VOLTAGE	MAXIMUM CONTINUOUS VOLTAGE	POWER CONSUMPTION
	T2NB (0.50W)	T2N (0.36W)	T2NH (0.2W)	T2NH1 (0.15W)	RATED VOLTAGE (AT +20°C)			(W)
4.5	36	56.25	101	135	70% Max.	10% Min.	7.5 V	T2NB : 0.50W T2N : 0.36W T2NH : 0.2W T2NH1 : 0.15W * Note : For 48VDC, T2NH and T2NH-1 are only available with power consumption 0.3W.
5	45	69.4	125	166.7			12.5 V	
6	70	100	180	240			15.0 V	
9	140	225	405	540			22.5 V	
12	280	400	720	960			30.0 V	
24	1070	1600	2880	3840			52.9 V	
48	4300	6400	7680 (0.3W)				84.9 V	

CHARACTERISTICS

Contact Arrangement	DPDT (2 form C)
Contact Material	Silver Alloy
Contact Resistance	50m Ω Max.
Contact Rating (Resistive Load)	1.25A 24VDC
Switching Voltage	DC60V Max. AC 125V Max.
Switching Current	2A Max.
Operate Time	6ms Max.
Release Time	5ms Min.
Insulation Resistance	1000M Ω Min. (500V DC)
Dielectric Strength	750Vrms, 1 minute between open contacts 1000Vrms, 1 minute between coil and contact
Shock Resistance	30g (300 m/s ²)
Vibration	10g (10-70Hz)
Ambient Temperature	-40°C to +85°C
Operation Life	Mechanical : 10 ⁷ Electrical : 10 ⁶ At 1.25A or 10 ⁵ At 2A
Weight	5g Approx.

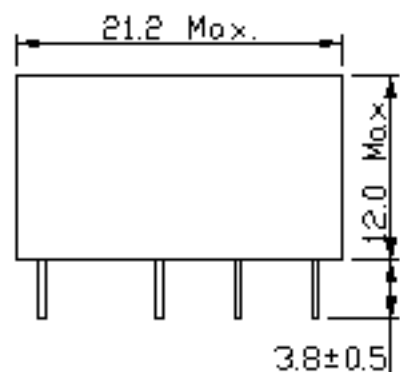
[Specifications are subject to change without notices.]

ORDERING INFORMATION

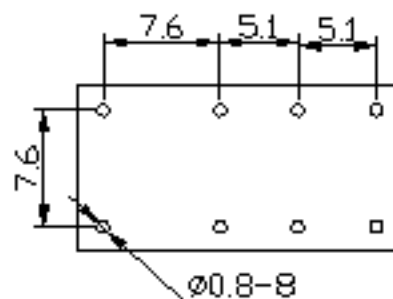


(i.e. T2NH1-S-DC5V is a DPDT, 0.15W, fully sealed, 5VDC coil relay.)

DIMENSIONS (UNIT:mm)



MOUNTING HOLES



TERMINAL ARRANGEMENT (BOTTOM VIEW)

