

T2

PIC RELAY

Subminiature Light Duty RELAY

FEATURES

Low profile and light weight

High reliability

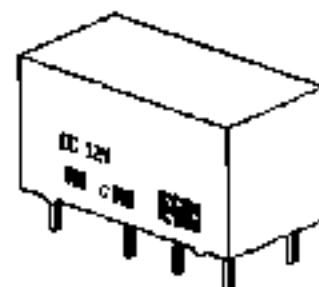
Dual-in line configuration as IC

Use on telecommunications, remote control etc.

For use with DIL-socket

Sealed type

  Recognized



SPECIFICATIONS

COIL RATING

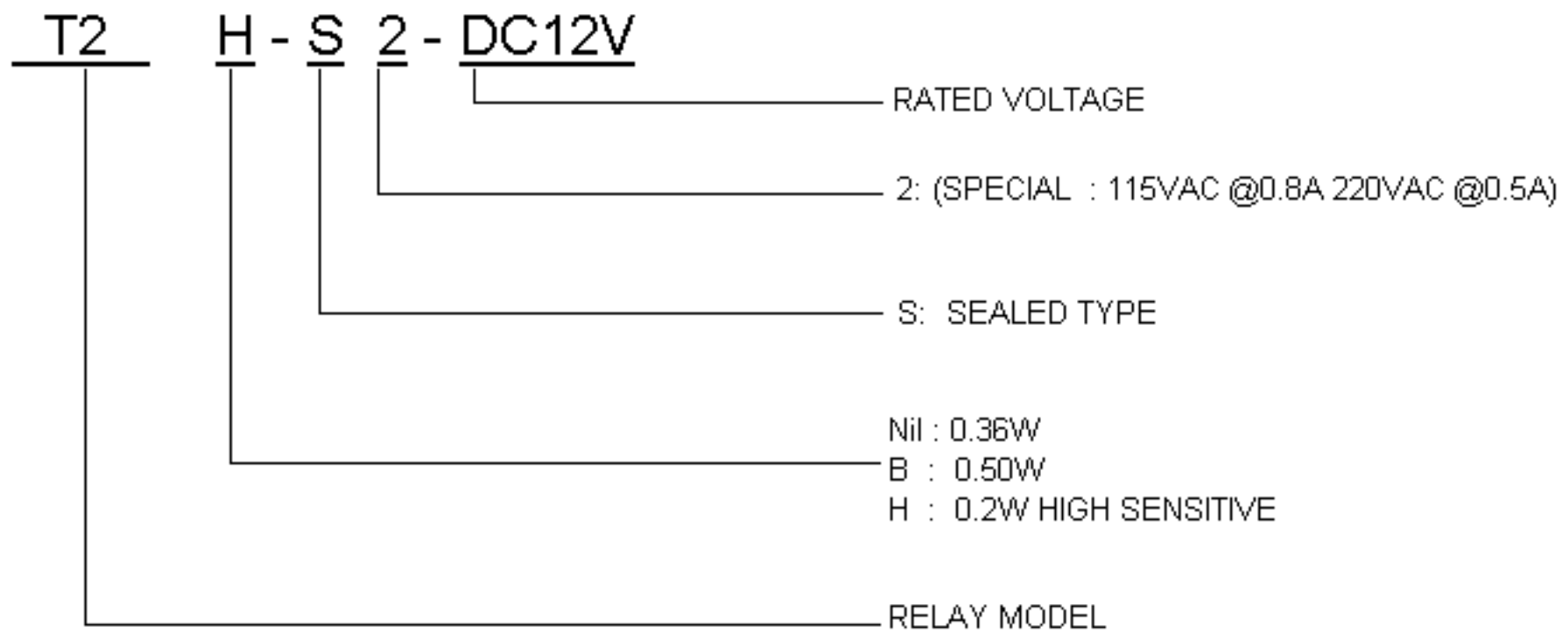
RATED VOLTAGE (V DC)	COIL RESISTANCE Ω +/- 10 %			MUST OPERATE VOLTAGE	MUST DROPOUT VOLTAGE	MAXIMUM VOLTAGE	POWER CONSUMPTION (W)
	T2B	T2	T2H	% OF RATED VOLTAGE (AT +20°C)			
3	18	25	45	75 Max.	10 Min.	120 Max.	T2B: 0.50approx. T2 : 0.36approx. T2H: 0.20approx.
5	45	70	125				
6	66	100	180				
9	140	220	405				
12	280	400	720				
24	1070	1600	2880				
48	4000	--	--				

CHARACTERISTICS

Contact Arrangement	DPDT (2 form C)
Contact Material	Silver Alloy (Gold Flash)
Contact Resistance	100m Ω Max. (At 6VDC 1A)
Contact Rating (resistive load)	1A 24VDC/120VAC 0.3A 220VAC
Switching Current	2A Max.
Switching Voltage	DC60V Max. AC120V Max.
Operate Time	8ms Max.
Release Time	4ms Max.
Insulation Resistance	100M Ω Min. (500V DC)
Dielectric Strength	750Vrms, 1 minute between open contacts 1500Vrms, 1 minute between coil and contact
Shock Resistance	15g Approx.
Vibration	10-55Hz, Double amplitude 0.35mm
Ambient Temperature	-30°C to +75°C
Operation Life	Mechanical : 10 ⁷ Electrical : 10 ⁶ (At rated load)
Weight	5g Approx.

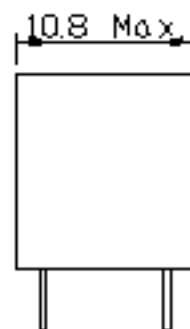
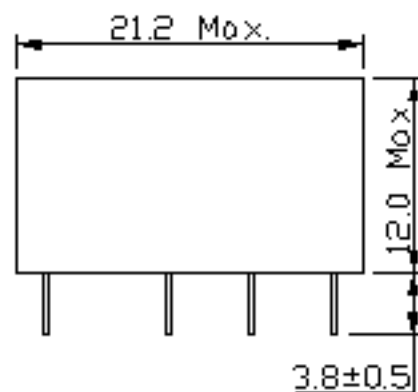
[Specifications are subject to change without notices.]

ORDERING INFORMATION

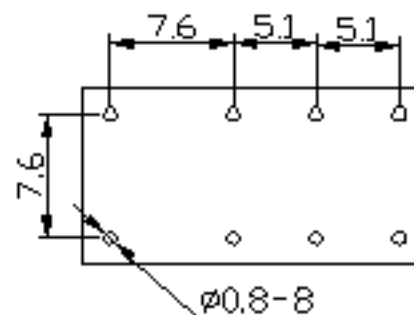


(i.e. T2H-S-DC12V is a DPDT, high sensitive 0.2W, fully sealed, 12VDC coil relay.)

DIMENSIONS (UNIT:mm)



MOUNTING HOLES



TERMINAL ARRANGEMENT (BOTTOM VIEW)

