

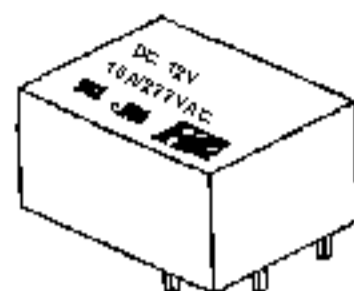


S15

PIC RELAY

FEATURES

- Low profile subminiature relay
- Flat type 10.2mm high
- Switching capacity up to 10A 277VAC
- Class B insulation system
- Dust cover or sealed type
-  c  Recognized



SPECIFICATIONS

COIL RATING

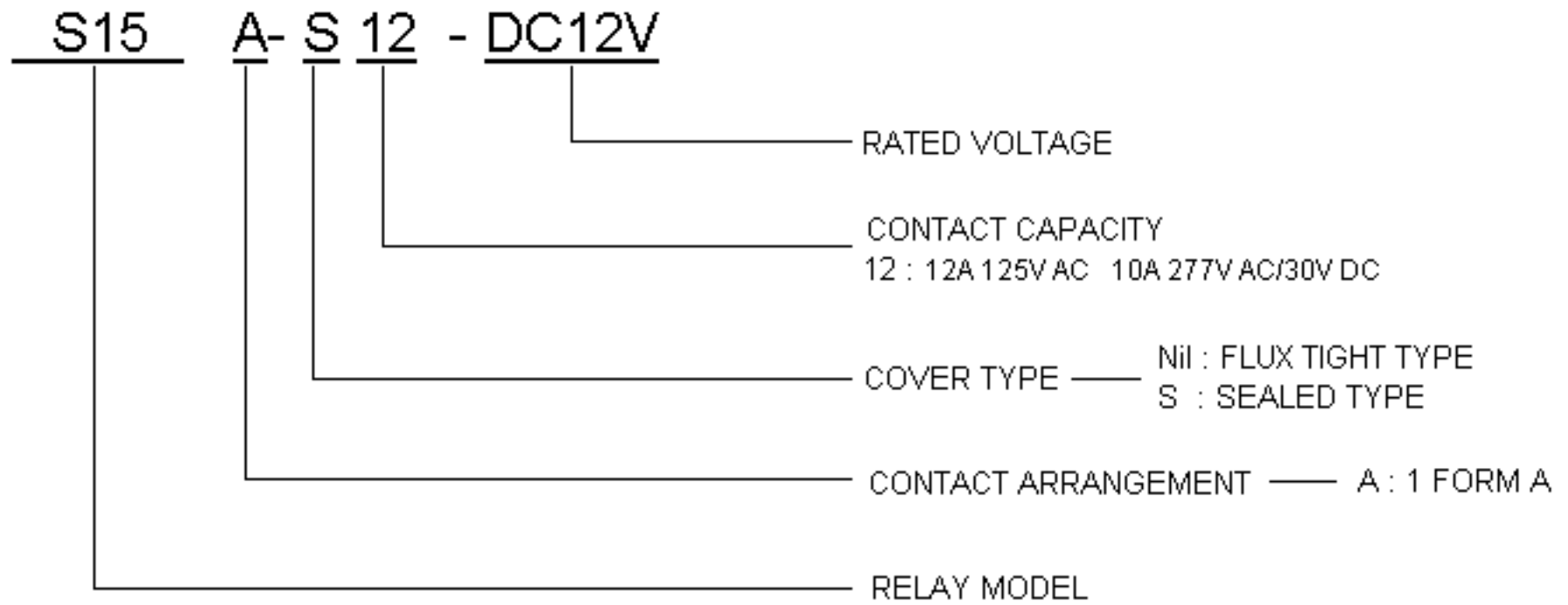
RATED VOLTAGE (V DC)	COIL RESISTANCE Ω +/- 10%	RATED CURRENT (mA)	MUST OPERATE VOLTAGE	MUST DROPOUT VOLTAGE	MAXIMUM VOLTAGE	POWER CONSUMPTION (W)
			% OF RATED VOLTAGE (AT +20°C)			
3	20	150	75 Max.	5 Min.	200 Max.	0.45W Approx.
5	55	100				
6	80	75				
9	180	50				
12	320	37.5				
18	720	25				
24	1280	18.7				

CHARACTERISTICS

Contact Arrangement	SPST (1 Form A)
Contact Material	Silver Alloy
Contact Resistance	100m Ω Max. (Measured at 1A 24VDC)
Contact Rating (Resistive Load)	10A 277VAC/ 30V DC 12A 125VAC/ 30V DC 1/4HP 125VAC/ 250VAC TV-5
Switching Voltage	DC 110V Max. AC 380V Max.
Operate Time (Typical)	8ms Max.
Release Time (Typical)	5ms Max.
Insulation Resistance	100M Ω Min. (500V DC)
Dielectric Strength	1000VAC (50Hz/min.) between open contacts 2500VAC (50Hz/min.) between coil and contact
Shock Resistance	10g Operating 100g Damage
Vibration Resistance	1.5mm Double amplitude, 10-50Hz
Ambient Temperature	Operation : -40°C to 80°C (At nominal coil voltage) Storage : -40°C to 130°C
Operation Life	Mechanical : 10^7 Electrical : 10^5 (At rated load)
Weight	6g Approx.

[Specifications are subject to change without notices.]

FEATURES



(i.e. S15A-S12 DC 12V is a SPST, fully sealed, 12Amp and 12VDC coil relay.)

DIMENSIONS (UNIT:mm)

