

## SILENT TYPE RELAY

### FEATURES

- Extremely silent version
- Low coil power consumption
- Switching capacity up to 20A 16VDC
- Special use for automobile
- Sealed Type



### SPECIFICATIONS

#### COIL RATING

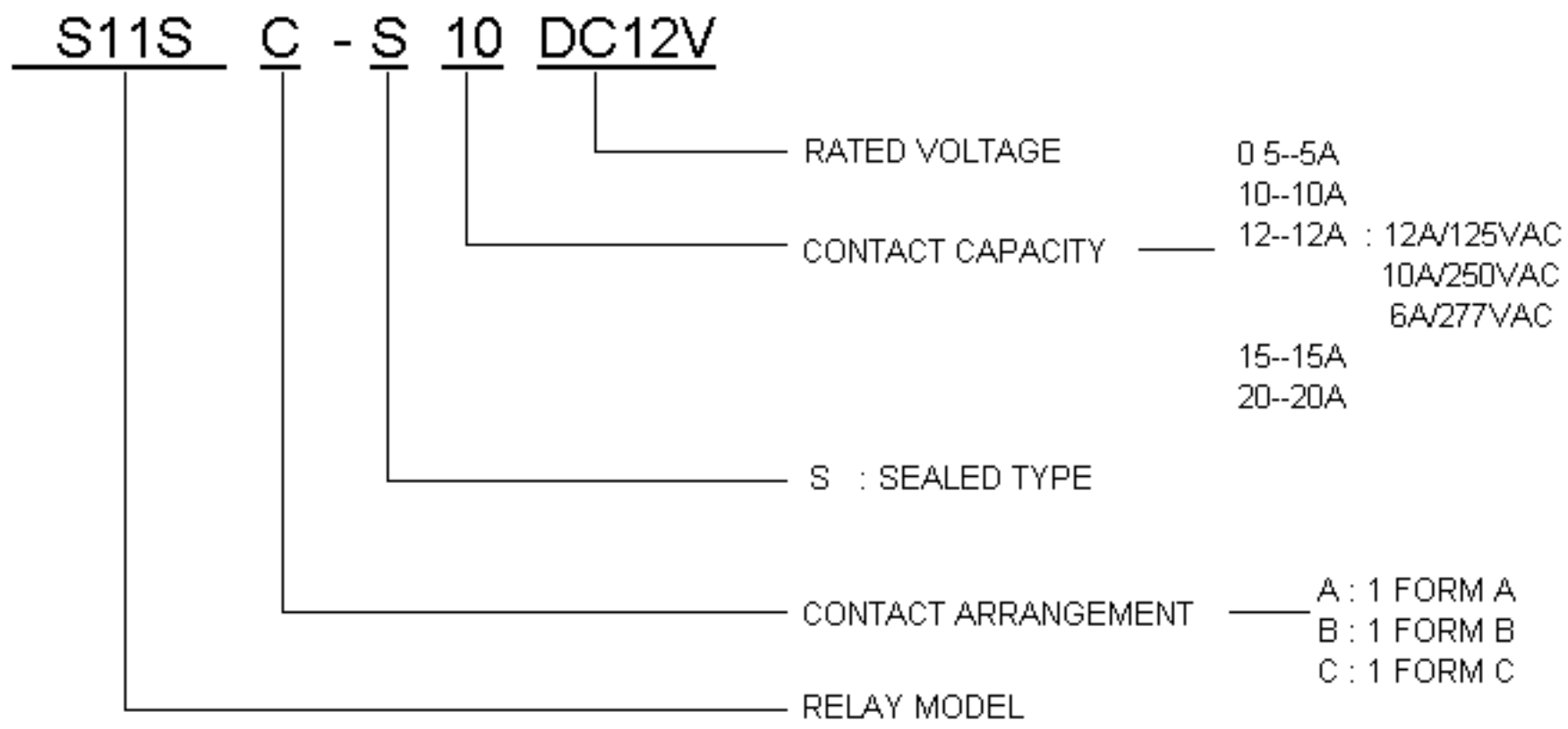
	RATED VOLTAGE (V DC)	COIL RESISTANCE $\Omega$ +/- 10 %	RATED CURRENT (mA)	MUST OPERATE VOLTAGE	MUST DROPOUT VOLTAGE	MAXIMUM VOLTAGE	POWER CONSUMPTION (W)
				% OF RATED VOLTAGE (At +20 °C)			
5A - 15A	3	25	120	75 Max.	10 Min.	130 Max.	0.36 Approx.
	5	70	70				
	6	100	60				
	9	220	40				
	12	400	30				
	24	1600	15				
20A	48	6400	7.5	55 Max.			0.8 Approx.
	6	45	133.3				
	12	180	66.6				
	24	720	33.3				

### CHARACTERISTICS

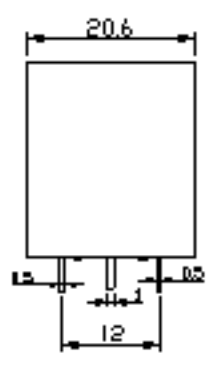
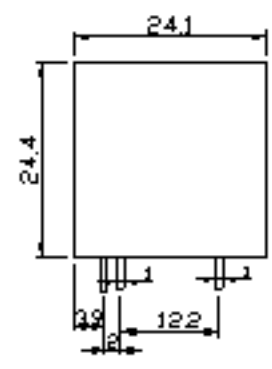
Contact Arrangement	SPST ( 1 Form A), SPST (1 Form B), SPDT (1 Form C)
Contact Material	Silver Alloy
Contact Resistance	100m $\Omega$ Max.
Contact Rating (Resistive Load)	<ul style="list-style-type: none"> <li>● 5A, 10A, 12A 28VDC/125VAC</li> <li>● 15A 28VDC/125VAC (NO)</li> <li>● 10A 28VDC/250VAC or 6A 28VDC/ 277VAC</li> <li>● 20A 16VDC/125VAC</li> </ul>
Switching Voltage	DC 125V Max. AC 250V Max.
Operate Time (Initial)	10ms Max.
Release Time (Initial)	5ms Max.
Insulation Resistance	250M $\Omega$ Min. ( At 500V DC)
Dielectric Strength	1000V AC (50Hz/min.) Between open contacts 1500V AC (50Hz/min.) Between coil and contacts
Shock Resistance	10g Approx.
Vibration Resistance	1.5mm Double Amplitude 10-50Hz
Ambient Temperature	-40°C to +85°C
Humidity	20 - 85% RH
Operation Life	Mechanical : 10 <sup>7</sup> Electrical : 10 <sup>5</sup> (At rated load)
Weight	18g

[Specifications are subject to change without notices.]

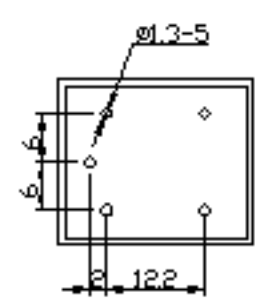
## ORDERING INFORMATION



## DIMENSIONS (UNIT:mm)



### MOUNTING HOLES



### TERMINAL ARRANGEMENT (BOTTOM VIEW)

