

FEATURES

- Miniature slim type relay
- SPST (NO) & SPDT (NO, NC) configurations
- Wide operating range
- Well use for security, industrial & automation applications
- Sealed type is available.



  Pending

SPECIFICATIONS

COIL RATING

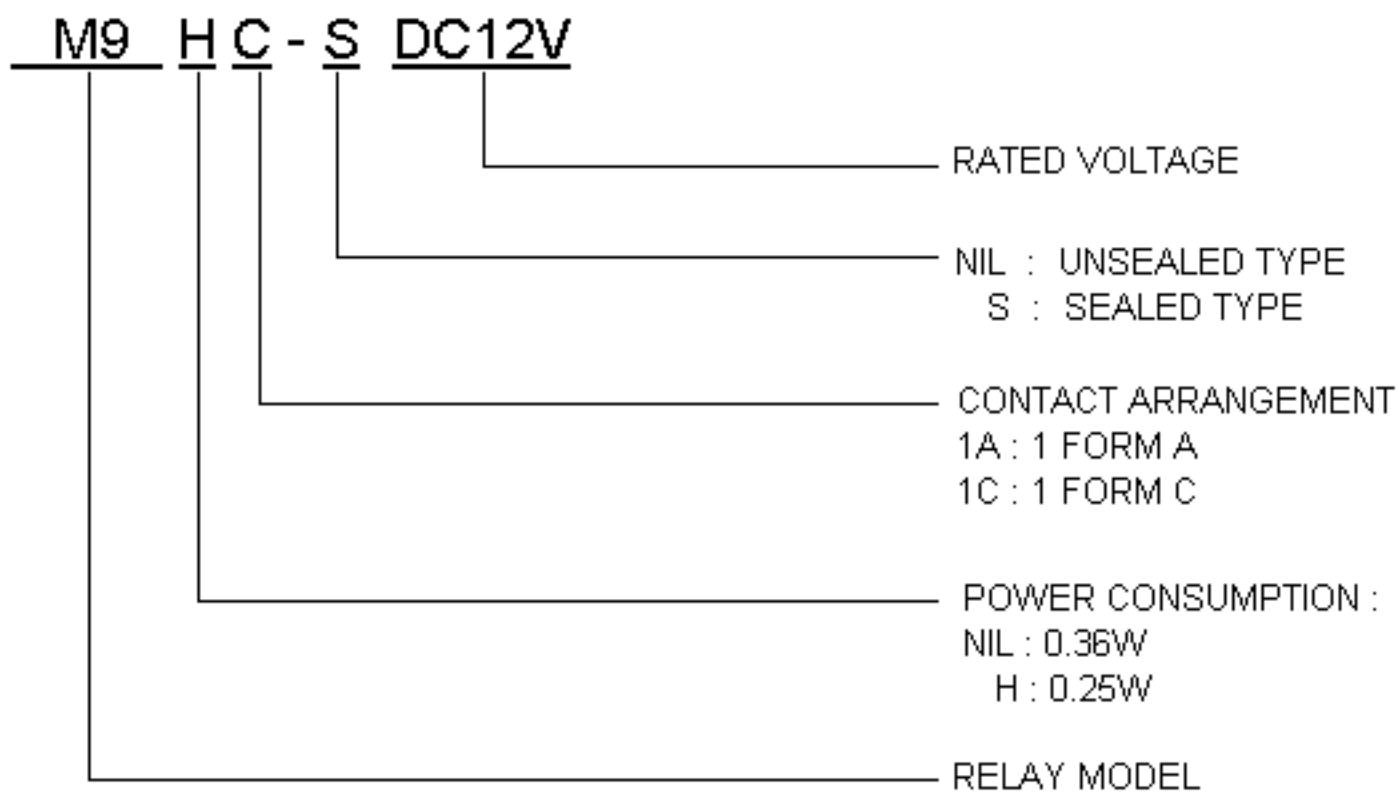
RATED VOLTAGE (V DC)	COIL RESISTANCE Ω \pm 10 %		RATED CURRENT (mA)		MUST OPERATE VOLTAGE	MUST DROPOUT VOLTAGE	MAXIMUM VOLTAGE	POWER CONSUMPTION (W)
	M9	M9H	M9	M9H	% OF RATED VOLTAGE (AT +20°C)			
3	25	36	120	83.3	70 Max.	5 Min.	130 Max.	M9 0.36 Approx. M9H : 0.25 Approx.
5	69	100	72.5	50				
6	100	145	60	41.4				
9	225	325	40	27.7				
12	400	575	30	20.9				
18	900	1300	20	13.8				
24	1600	2310	15	10.4				
48	6400	9220	7.5	5.2				

CHARACTERISTICS

Contact Arrangement	SPST (1 Form A); SPDT (1 Form C)
Contact Material	Silver Alloy
Contact Resistance	100m Ω Max. (Measured at 1A 6VDC)
Contact Rating (Resistive Load)	5A 250VAC/30VDC
Max. Switching Voltage	250VAC / 30VDC
Operate Time	10ms Max.
Release Time	5ms Max.
Insulation Resistance	1000M Ω (500V DC)
Dielectric Strength	1000VAC (50Hz/min) Between open contact 2000VAC (50Hz/min) Between coil and contact :
Surge Voltage (Between Contact and Coil)	4000VAC (At 2x10 μ s)
Shock Resistance	Functional : 100m/s ² (11 \pm 1s); Destructive : 500m/s ² (6 \pm 1s)
Vibration Resistance	3.3mm, 10-55Hz Double Amplitude
Ambient Temperature	-45°C to +85°C
Humidity	45 to 85% RH
Operation Life	Mechanical : 10 ⁷ Electrical : 10 ⁵ (At rated load)
Weight	8g Approx.

[Specifications are subject to change without notices.]

ORDERING INFORMATION



(i.e. M9HC-S DC 12V is a SPDT, fully sealed version, 0.25W 12VDC coil relay.)

DIMENSIONS (UNIT:mm)

