

M7

PIC RELAY

FEATURES

High capacity, high withstand voltage relay

30A Switching capabilities

SPST and DPST configurations

4KV Dielectric strength coil to contacts

Heavy load up to 7500VA

 c  Pending

SPECIFICATIONS

COIL RATING

	RATED VOLTAGE (V)	COIL RESISTANCE Ω +/- 10 %	MUST OPERATE VOLTAGE	MUST DROPOUT VOLTAGE	POWER CONSUMPTION (W, VA)
			% OF RATE VOLTAGE (At +20 °C)		
AC	6	18.8	80 Max.	15 Min.	2.7VA (Approx.)
	12	75			
	24	300			
	48	1200			
	120	5200			
	220	20800			
DC	3	4.7	75 Max.	10 Min.	1.9W (Approx.)
	6	18.8			
	12	75			
	24	300			
	48	1200			
	100	5200			
	110	6300			
	200	21000			

CHARACTERISTICS

Contact Arrangement	1 Form A, 2 Form A
Contact Material	Silver Alloy
Contact Resistance	100m Ω Max. (Measured at 1A 24VDC)
Contact Rating (Resistive Load)	1 Form A : 30A 250VAC/28VDC; 2 Form A : 25A 250VAC/28VDC
Switching Voltage	28VDC/277VAC Max.
Switching Power	1 Form A : 7500VA/840W ; 2 Form A : 6250VA/700W
Operate Time	30ms Max.
Release Time	30ms Max.
Insulation Resistance	1000M Ω Min. (500V DC)
Dielectric Strength	2000V AC (1 minute) Between open contact 4000V AC (1 minute) Between coil & contact
Surge Voltage	10,000VAC Between contact & coil
Shock Resistance	Functional : 98m/s ² Malfunction Destructive : 980m/s ² Malfunction
Vibration Resistance	1.5mm double amplitude, 10-50Hz
Ambient Temperature	-55°C to +70°C
Humidity	40 - 98% RH
Operation Life	Mechanical : 10 ⁶ Electrical : 10 ⁵
Weight	120g Approx.

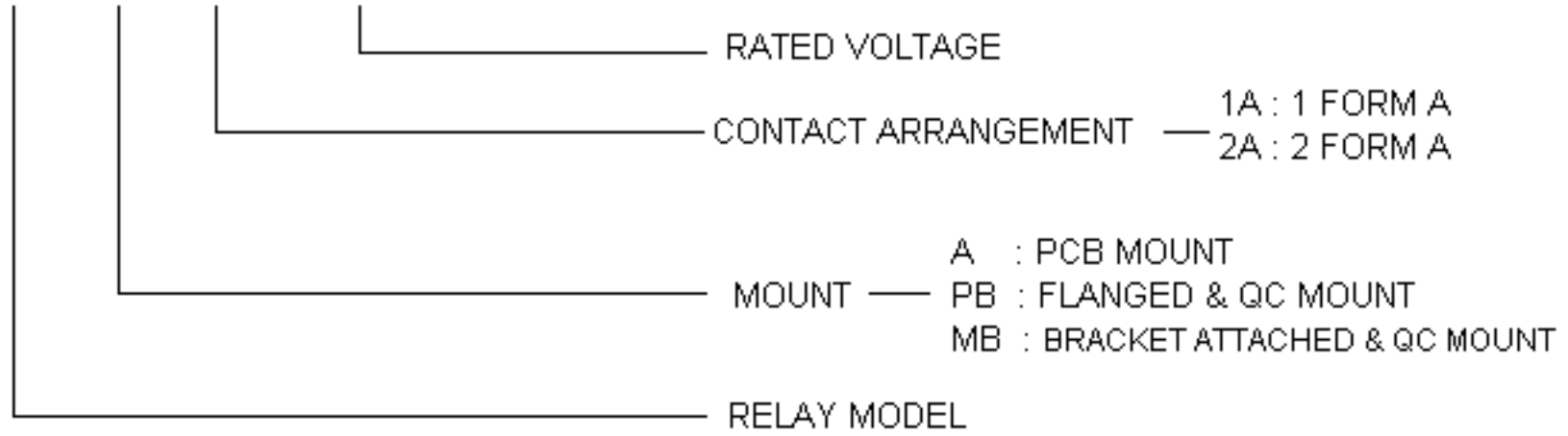
[Specifications are subject to change without notices.]

M7

PIC *RELAY*

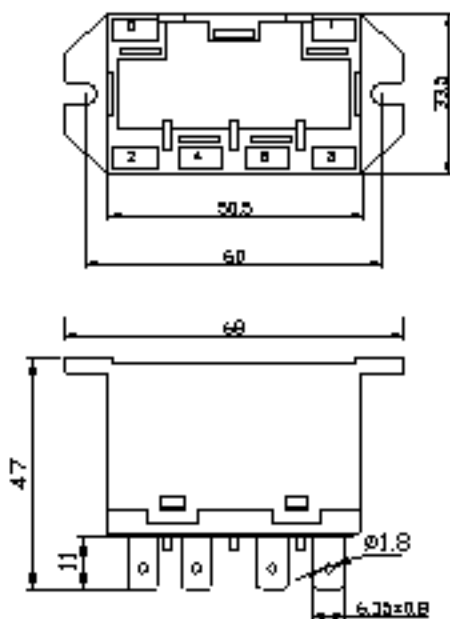
ORDERING INFORMATION

M7 MB - 2A DC 12V

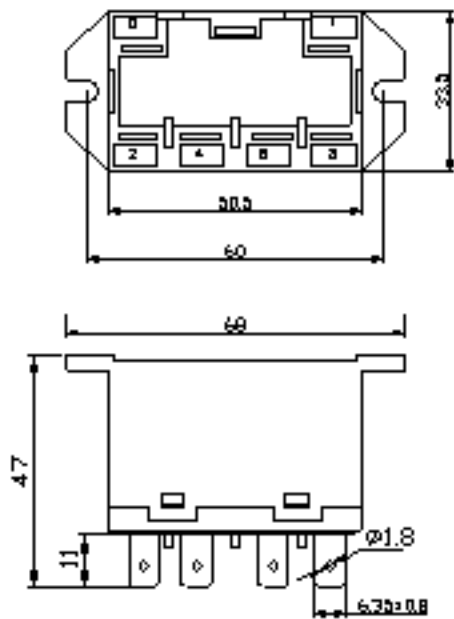


DIMENSIONS (UNIT: mm)

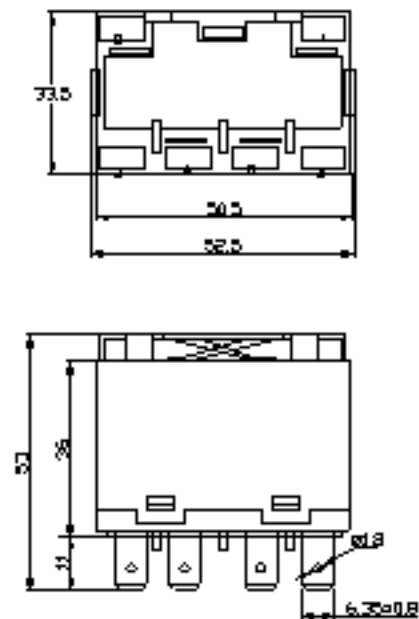
M7PB-1A



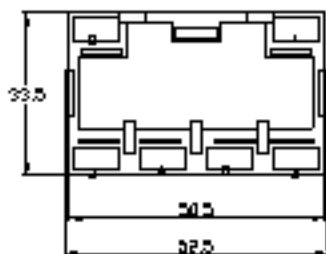
M7PB-2A



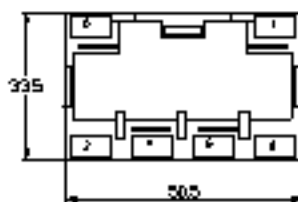
M7MB-1A



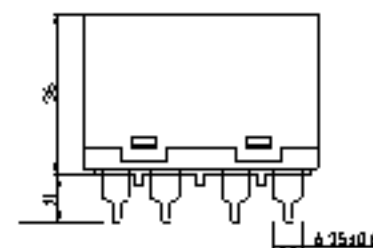
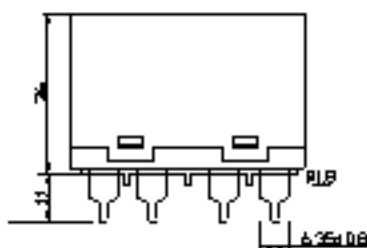
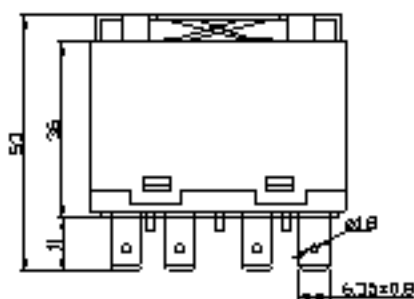
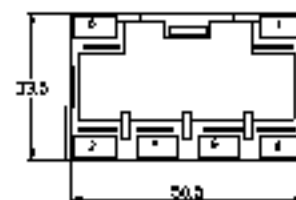
M7MB-2A



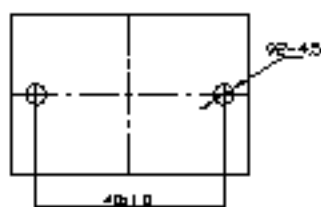
M7A-1A



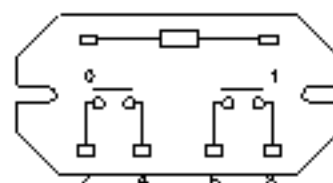
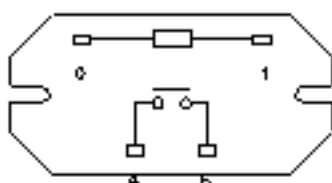
M7A-2A



MOUNTING HOLES



TERMINAL ARRANGEMENT



1 FORM A

2 FORM A