

FEATURES

Miniature high power relay with big performance in small package

High contact capacity

Designed for the use of heavy duty

Slim type and low cost.

Dust cover and sealed type is available.



SPECIFICATIONS

COIL RATING

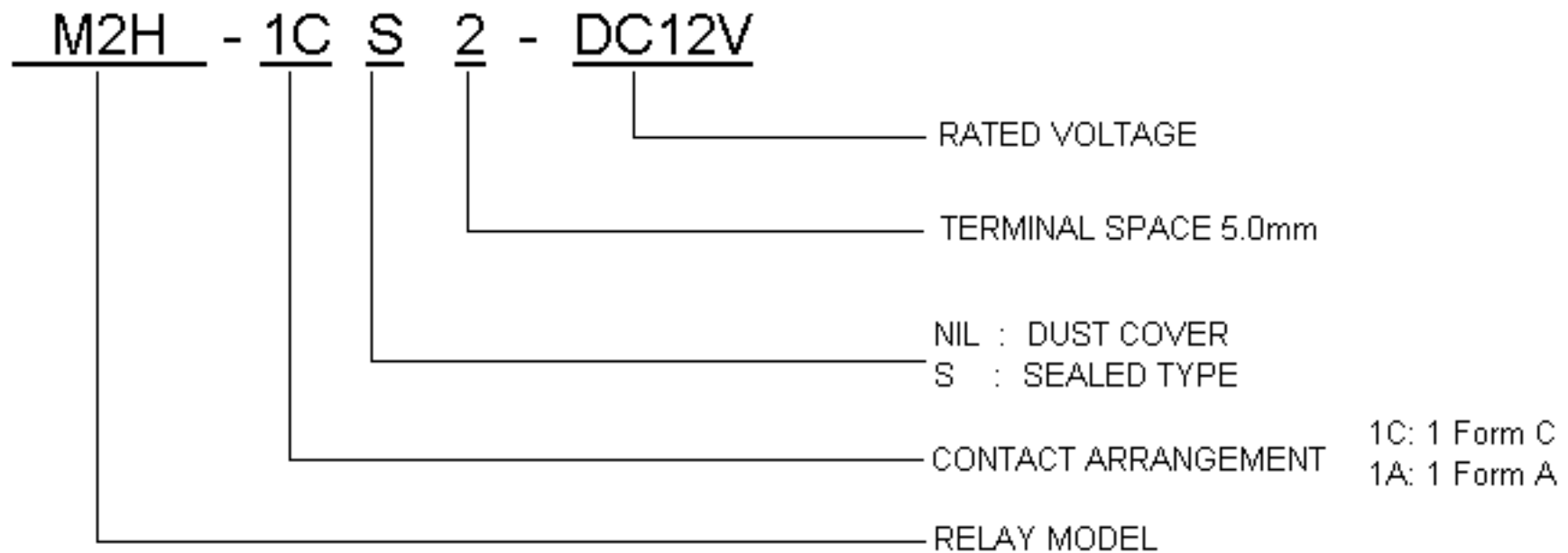
RATED VOLTAGE (V DC)	COIL RESISTANCE Ω +/- 10 %	RATED CURRENT (mA)	MUST OPERATE VOLTAGE	MUST DROPOUT VOLTAGE	MAXIMUM VOLTAGE	POWER CONSUMPTION (W)
			% OF RATED VOLTAGE (At +20 °C)			
5	36	139	70 Max.	10 Min.	130 Max.	0.72 Approx.
6	50	120				
9	115	78				
12	200	60				
24	820	29				
48	3300	14.5				

CHARACTERISTICS

Contact Arrangement	SPST(1 Form A), SPDT(1 Form C)
Contact Material	Silver Alloy
Contact Resistance	100m Ω Max (Drop 24V DC 1A)
Contact Rating (Resistive Load)	16A 240VAC/30VDC TV8 Inductive Load 8A 240VAC Cos ϕ : 0.4; 8A 30VDC L/R : 7ms
Switching Voltage	DC150V/AC 250VAC
Operate Time	15ms Max.
Release Time	8ms Max.
Insulation Resistance	100M Ω Min. (500V DC)
Dielectric Strength	1000V AC(50Hz/min.) Between open contacts 5000V AC(50Hz/min.) Between coil and contact
Ambient Temperature	-30°C to +55°C
Humidity	20 to 85% R.H.
Operation Life	Mechanical : 10 ⁷ Electrical : 10 ⁵
Weight	13 Approx.

[Specifications are subject to change without notices.]

ORDERING INFORMATION



DIMENSIONS (UNIT:mm)

