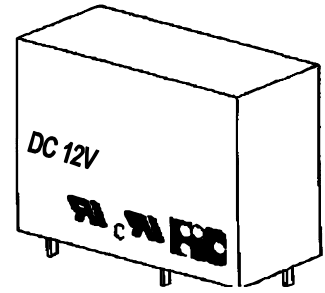


FEATURES

- Miniature high power relay with big performance in small package
- High contact capacity
- Designed for the use of heavy duty
- Slim type and low cost
- Dust cover and sealed type is available.



SPECIFICATIONS

COIL RATING

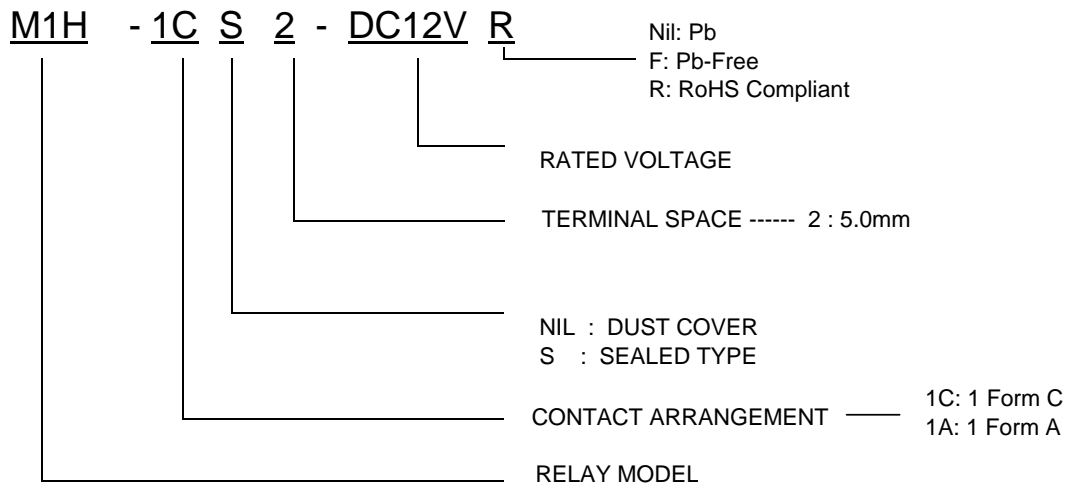
RATED VOLTAGE (V DC)	COIL RESISTANCE Ω +/- 10 %	RATED CURRENT (mA)	MUST OPERATE VOLTAGE	MUST DROPOUT VOLTAGE	MAXIMUM VOLTAGE	POWER CONSUMPTION (W)
			% OF RATED VOLTAGE (At +20 °C)			
5	47	106	70 Max.	10 Min.	110 Max.	0.53 Approx.
6	68	88				
9	160	56				
12	275	44				
24	1100	22				
48	4170	11.5				
60	7000+/-15%	8.5				

CHARACTERISTICS

Contact Arrangement	SPST(1 Form A / 1 Form B), SPDT(1 Form C)
Contact Material	Silver Alloy
Contact Resistance	50m Ω Max. (Drop 24V DC 1A)
Contact Rating (Resistive Load)	20A 277VAC/24VDC 1HP 240V AC
Switching Voltage	DC30V/AC 277V Max.
Operate Time (Initial)	15ms Max.
Release Time (Initial)	5ms Max.
Insulation Resistance	1000M Ω Min. (500V DC)
Dielectric Strength	1000V AC(50Hz/min) Between open contacts 4000V AC(50Hz/min) Between coil and contac
Ambient Temperature	-40 °C to +85 °C
Humidity	20 to 85% RH
Operation Life	Mechanical : 5 x 10 ⁶ Electrical : 1 x 10 ⁵ 12A 277VAC/24VDC 1HP 240VAC 0.5 x 10 ⁵ 16A 277VAC/24VDC 2 x 10 ⁴ 20A 277VAC/24VDC 0.25 x 10 ⁵ 8A Tungsten 120VAC (TV-8)
Weight	18g Approx.

[Specifications are subject to change without notices]

ORDERING INFORMATION



DIMENSIONS (Unit:mm)

