

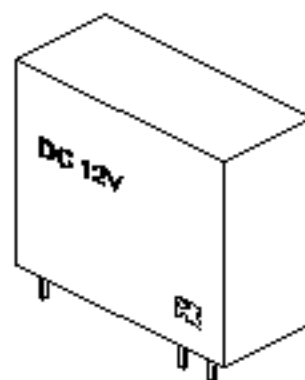
M11

PIC RELAY

FEATURES

Small size, slim type relay
 Use on industrial control units,
 air conditioners and consumer equipment
 Available to comply with wide application
 Unsealed or sealed type

  Pending



SPECIFICATIONS

COIL RATING

RATED VOLTAGE (V DC)	COIL RESISTANCE $\Omega \pm 10\%$		RATED CURRENT (mA)		MUST OPERATE VOLTAGE	MUST DROPOUT VOLTAGE	MAXIMUM VOLTAGE	POWER CONSUMPTION (W)
	M11	M11H	M11	M11H	% OF RATED VOLTAGE (AT +20°C)			
3	47	100	106.4	50	75 Max.	5 Min.	130 Max.	M11 : 0.53 Approx. M11H : 0.25 Approx. (For "1 Form A" only)
6	68	145	88.2	41.4				
9	155	325	58	27.7				
12	270	575	44.4	20.9				
18	620	1300	29	13.8				
24	1080	2310	22.2	10.4				
48	4400		10.9					

CHARACTERISTICS

Contact Arrangement	SPST (1 FORM A); SPST (1 FORM C); DPST (2 FORM A)
Contact Material	Silver Alloy
Contact Resistance	100m Ω Max. (Measured at 1A 6VDC)
Contact Rating (Resistive Load)	1 Pole : 10A 30VDC/250VAC, TV-5 125VAC 2 Poles : 5A 30VDC/250VAC
Switching Voltage	250VAC / 30VDC
Switching Current	1 Pole : 10A; 2 Poles : 5A
Switching Power	1 Pole : 2500VA/300W; 2 Poles : 125VA/150W
Operate Time	15ms Max.
Release Time	10ms Max.
Insulation Resistance	100M Ω (500V DC)
Dielectric Strength	Between open contact : 1000VAC (50Hz/min) Between coil & contact : (1 Pole) NO : 4000VAC (50Hz/min); NC : 3000VAC (50Hz/min) (2 Poles) NO : 4000VAC (50Hz/min) Between contact sets :
Surge Voltage (Between Contact and Coil)	10000VAC (at 1.2 x 50 μ s)
Shock Resistance	Functional : 200m/s ² ; Destructive : 1000m/s ²
Vibration Resistance	1.5mm Double amplitude, 10-55Hz
Ambient Temperature	-40°C to +70°C
Humidity	1 Pole : 35 to 85% R.H.; 2 Poles : 5 to 85% R.H.
Operation Life	Mechanical : (1 Pole) 1x10 ⁷ ; (2 Poles) 1x10 ⁶ Electrical : 1x10 ⁵ (At rated load)
Weight	1 Pole : 12g Approx; 2 Poles : 13g Approx.

[Specifications are subject to change without notices.]

ORDERING INFORMATION

M11 H - 1C S DC12V

RATED VOLTAGE

NIL : UNSEALED TYPE ; S : SEALED TYPE

CONTACT ARRANGEMENT

1A : 1 FORM A

1C : 1 FORM C

2A : 2 FORM A

POWER CONSUMPTION :

NIL : 0.53W ; H : 0.2W

RELAY MODEL

(i.e. M11-1AS DC12V is a SPST, fully sealed version, 12VDC coil relay.)

DIMENSIONS (UNIT:mm)

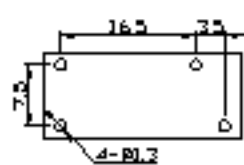
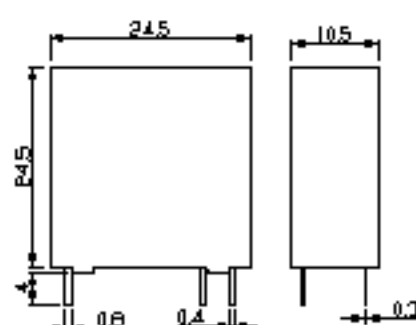
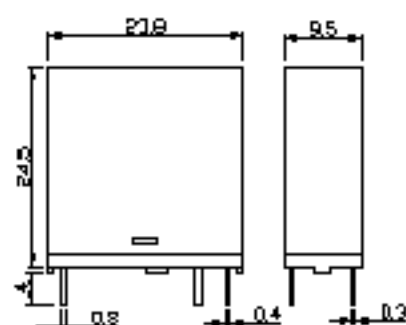
1 FORM A

UNSEALED TYPE

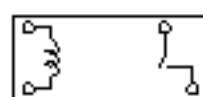
SEALED TYPE

MOUNTING HOLES

TERMINAL ARRANGEMENT



(BOTTOM VIEW)



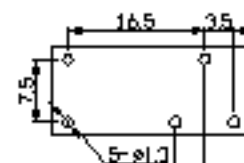
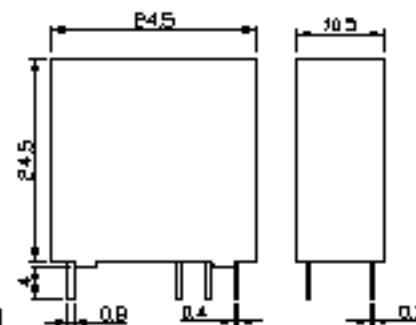
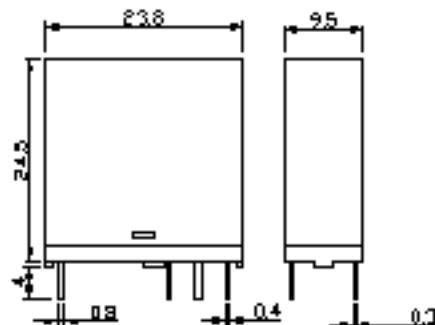
1 FORM C

UNSEALED TYPE

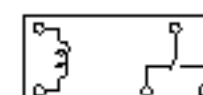
SEALED TYPE

MOUNTING HOLES

TERMINAL ARRANGEMENT



(BOTTOM VIEW)



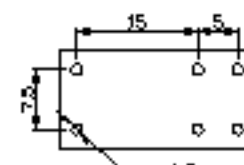
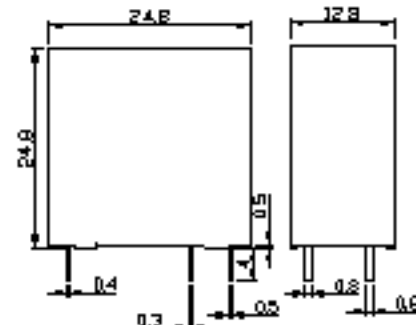
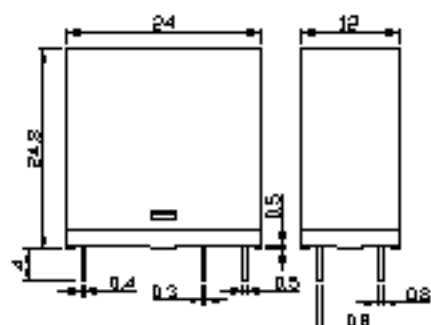
2 FORM A

UNSEALED TYPE

SEALED TYPE

MOUNTING HOLES

TERMINAL ARRANGEMENT



(BOTTOM VIEW)

