

FEATURES

Miniature high power relay with big performance in small package

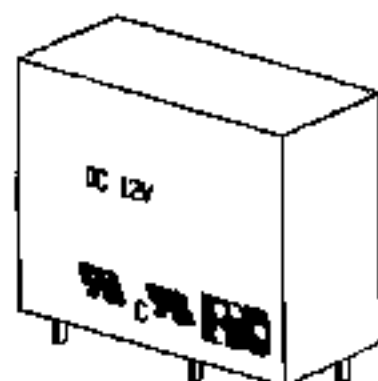
High contact capacity

Designed for the use of heavy duty

Slim type and low cost

Dust cover or sealed type

 c  Recognized



SPECIFICATIONS

COIL RATING

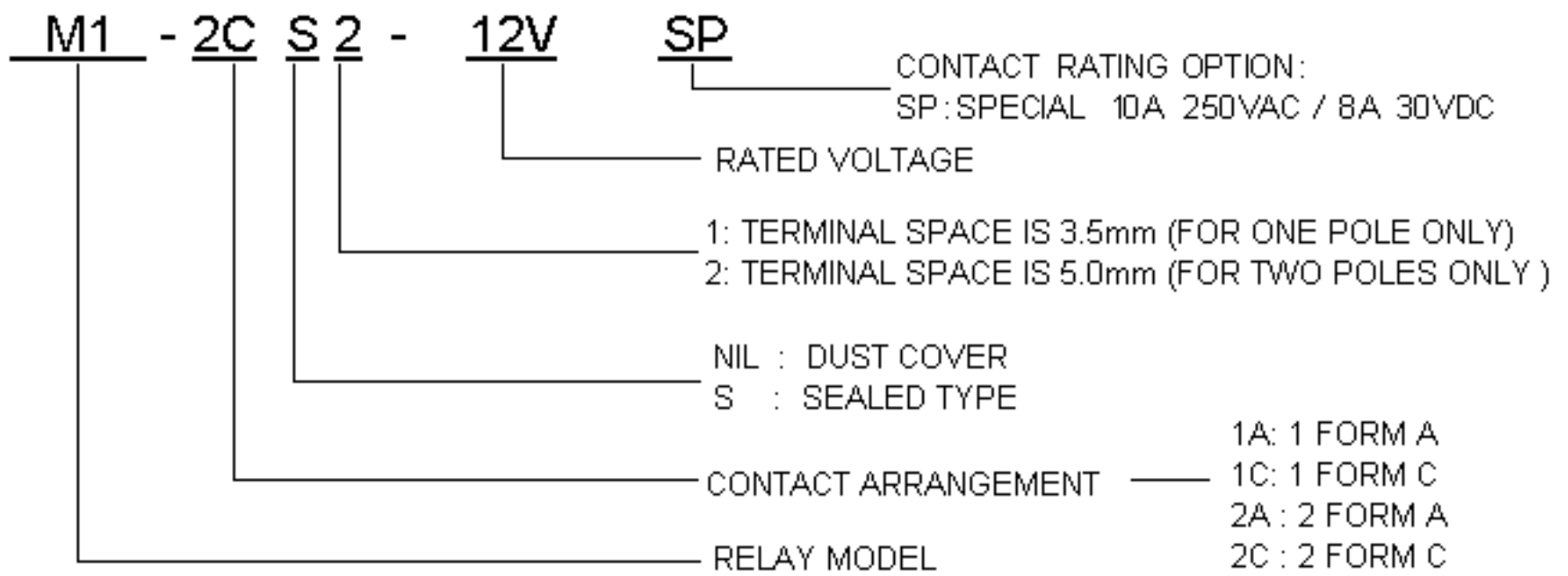
RATED VOLTAGE (V DC)	COIL RESISTANCE Ω +/- 10 %	RATED CURRENT (mA)	MUST OPERATE VOLTAGE	MUST DROPOUT VOLTAGE	MAXIMUM VOLTAGE	POWER CONSUMPTION (W)
			% OF RATED VOLTAGE (At +20 °C)			
5	47	106	75 Max.	10 Min.	110 Max.	0.56 Approx. (For 48VDC, 0.75 Approx.)
6	68	88				
12	275	44				
24	1100	22				
48	4170	11.5				
60	7000	8.6				
110	16200	7				

CHARACTERISTICS

Contact Arrangement	SPST(1 Form A), SPDT(1 Form C), DPST(2 Form A) , DPDT(2 Form C)
Contact Material	Silver Alloy
Contact Resistance	50m Ω Max.
Contact Rating (Resistive Load)	1A : 1 Form A (10A 30VDC/220VAC), TV-5 1C : 1 Form C (10A 30VDC/220VAC), TV-5 2A : 2 Form A (5A 30VDC/250VAC) 2A : 2 Form A:(SP) Special Type (10A 250VAC 8A 30VDC) 2C : 2 Form C (5A 30VDC/250VAC) 2C : 2 Form C:(SP) Special Type (10A 250VAC 8A 30VDC)
Switching Voltage	DC30V/AC 250V Max.
Operate Time	15ms Max.
Release Time	5ms Max.
Insulation Resistance	1000M Ω Min. (500V DC)
Dielectric Strength	1000V AC(50Hz/min.) Between open contacts 5000V AC(50Hz/min.) Between coil and contact 3000V AC(50Hz/min.) Between contact sets (For 2 Poles)
Ambient Temperature	-40°C to +85°C
Humidity	20 - 85% RH
Operation Life	Mechanical : 10 ⁷ Electrical : 10 ⁵ (At rated load)
Weight	18g Approx.

[Specifications are subject to change without notices.]

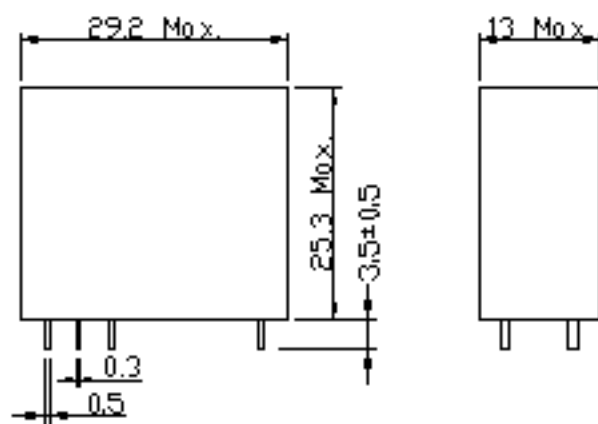
ORDERING INFORMATION



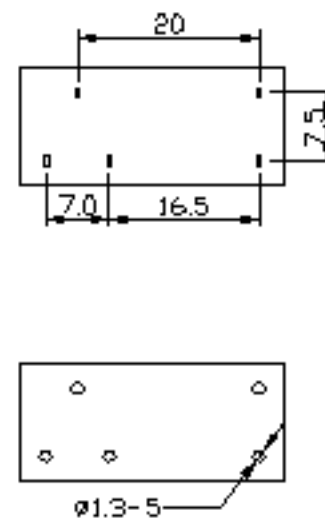
(i.e. M1-2CS2-12V is a DPDT, sealed, 5.0mm terminal space and 12VDC coil relay.)

DIMENSIONS (UNIT:mm)

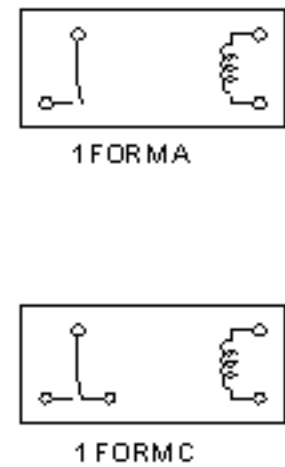
SINGLE POLE



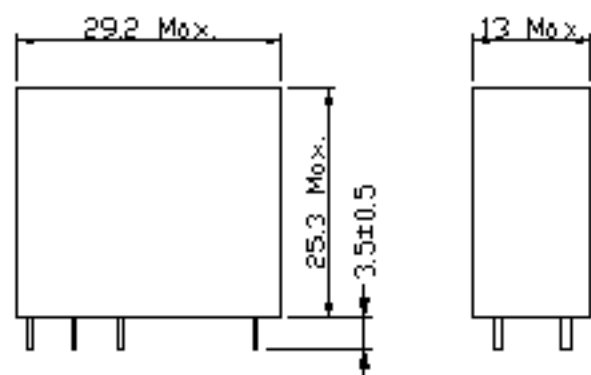
MOUNTING HOLES



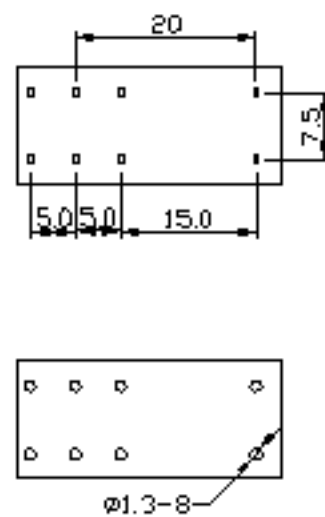
TERMINAL ARRANGEMENT (BOTTOM VIEW)



DOUBLE POLES



MOUNTING HOLES



TERMINAL ARRANGEMENT (BOTTOM VIEW)

