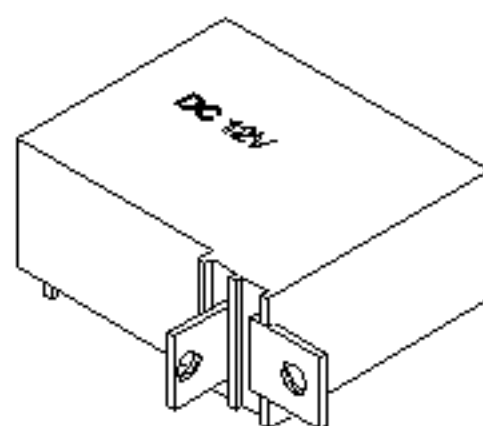


Miniature Latching Relay**FEATURES**

80A Switching Capabilities
 SPST Configurations
 4KV Dielectric Coil To Contacts
 Heavy Load Up To 15000VA
 PCB & QC Terminal

**SPECIFICATIONS****COIL RATING**

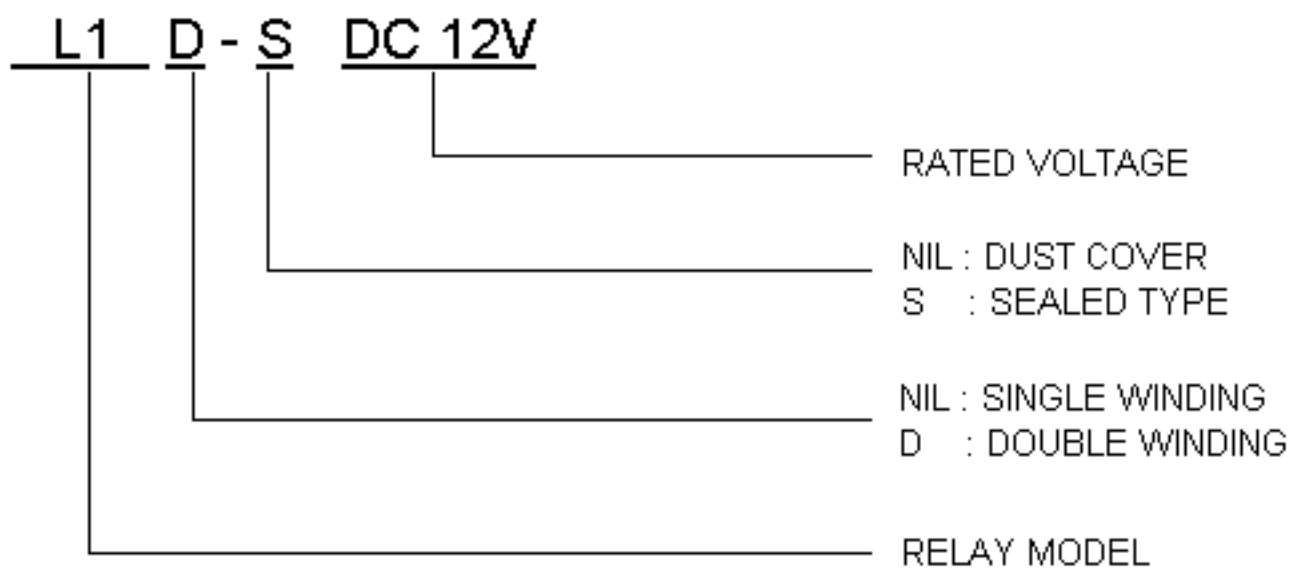
RATED VOLTAGE (V DC)	COIL RESISTANCE (Ω +/- 10%)		OPERATING VOLTAGE (V DC)	DURATION (ms)
	SINGLE WINDING	DOUBLE WINDING		
9	80	2 x 40	\leq 6.3	\geq 50
12	145	2 x 72	\leq 8.4	
24	575	2 x 285	\leq 16.8	

CHARACTERISTICS

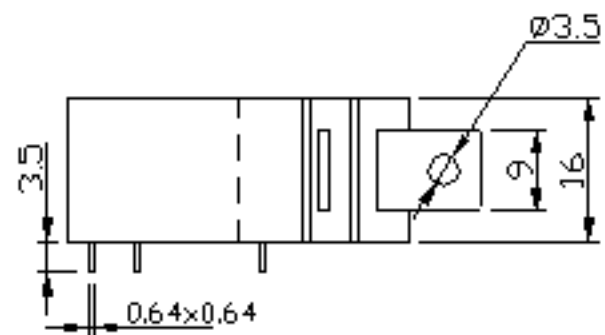
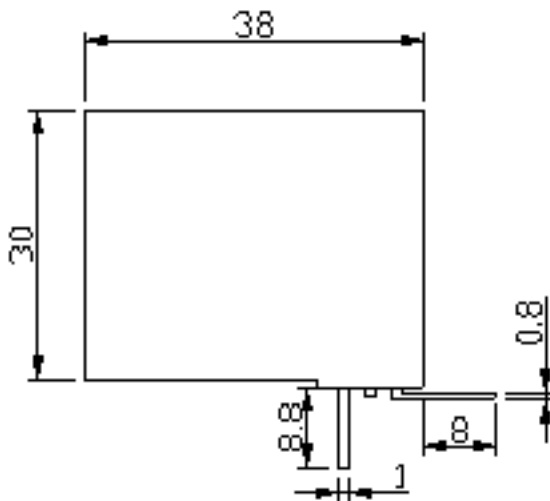
Contact Arrangement	SPST		
Contact Material	Silver Alloy		
Contact Resistance	50m Ω (Measured at 1A 24VDC)		
Contact Rating	60A 250VAC	50A 250VAC	40A 250VAC
	5000ops	10000ops	100000ops
Switching Capacity	15000VA Max.		
Switching Voltage	250VAC Max.		
Operate Time	20ms Max.		
Release Time	20ms Max.		
Insulation Resistance	1000M Ω Min. (500V DC)		
Creepage Distance	8mm		
Dielectric Strength	1500V AC (50Hz/min.) Between Open Contacts 4000V AC (50Hz/min.) Between Coil and Contact		
Vibration Resistance	1.5mm Double Amplitude 10-55Hz		
Shock Resistance	Malfunction : 98 m/s ²		
	Mechanical : 980m/s ²		
Ambient Temperature	-40°C to +70°C		
Humidity	40 - 98% RH		
Operation Life	Mechanical : 10 ⁶		
	Electrical : 10 ⁵ (At rated load)		
Weight	33g Approx.		

[Specifications are subject to change without notices.]

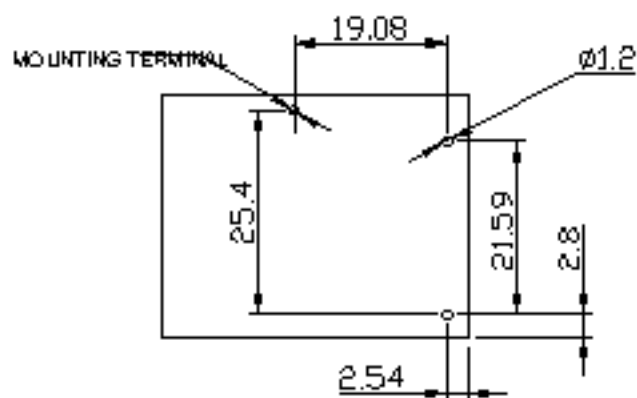
ORDERING INFORMATION



DIMENSIONS (UNIT:mm)



SINGLE WINDING



DOUBLE WINDING

