

C7

PIC RELAY

FEATURES

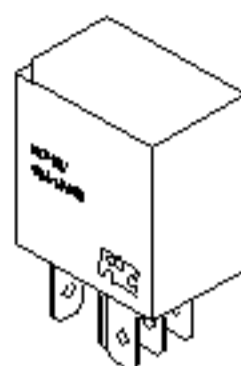
20A contact rating

High temperature design

1 Form A & 1 Form C arrangements

Ideal use for control car

Quick connect or PCB terminals



SPECIFICATION

COIL RATING

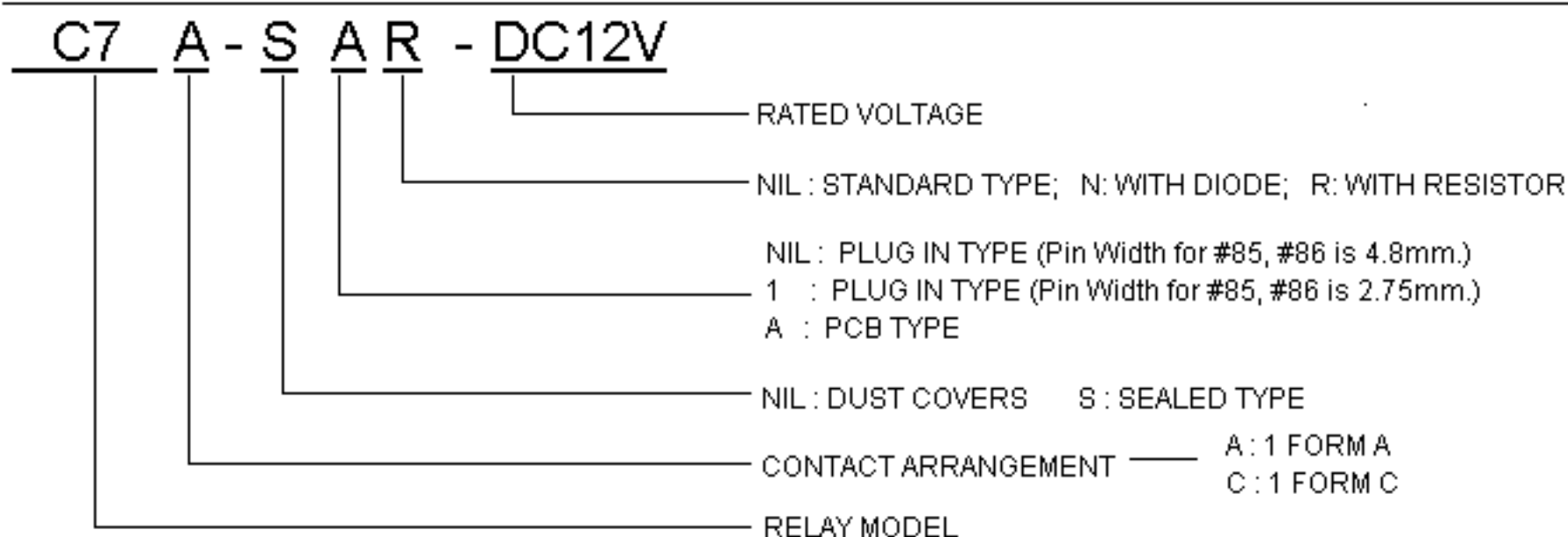
RATED VOLTAGE V DC	COIL RESISTANCE Ω + / - 10%		RATED CURRENT (mA)		MUST OPERATE VOLTAGE	MUST DROPOUT VOLTAGE	MAXIMUM VOLTAGE	POWER CONSUMPTION (W)
	1 Form A	1 Form C	1 Form A	1 Form C	% OF RATED VOLTAGE (AT 20°C)			
6	30	25	200	250	UNSEALED MODEL : 60 Max.	10 Min.	130 Max.	1 FORM A : 1.2W
12	120	96	100	124	SEALED MODEL : 65 Max.			1 FORM C : 1.5W
24	480	384	50	62.5				

CHARACTERISTICS

Contact Arrangement	SPST (1 Form A); SPDT (1 FORM C)
Contact Material	Silver Alloy
Contact Resistance	50m Ω Max.
Contact Rating (Resistive Load)	1 Form A : 20A 14VDC 1 Form C : For N.O. : 20A 14VDC For N.C. : 10A 14VDC
Switching Voltage	DC 75V Max
Operate Time	10ms Max.
Release Time	7ms Max.
Insulation Resistance	100M Ω Min. (500V DC)
Dielectric Strength	500Vrms, 1 minute between coil and contacts
Shock Resistance	10g Approx.
Vibration Resistance	1.27mm Double Amplitude, 10-40Hz
Ambient Temperature	Storage : -40 ⁰ C to +155 ⁰ C Operate : -40 ⁰ C to +85 ⁰ C
Humidity	20 - 85% RH
Operation Life	Mechanical : 10 ⁷ Electrical : 10 ⁶ (At Rated Load)
Weight	18.5g Approx.

[Specifications are subject to change without notices.]

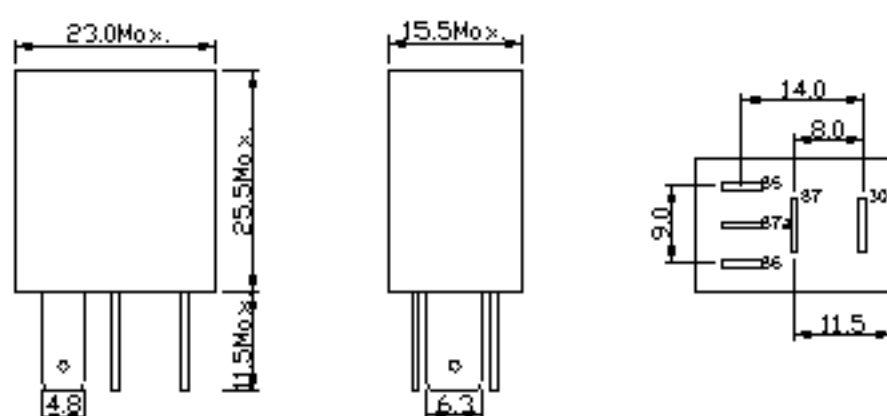
ORDERING INFORMATION



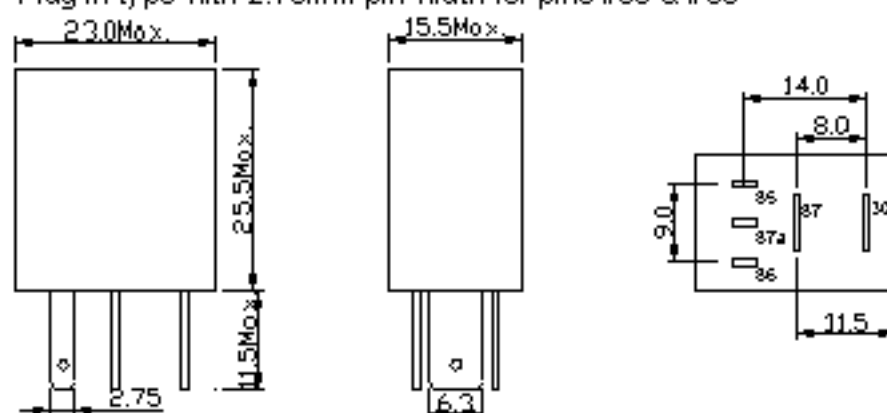
(i.e. C7A-A DC 12V is a SPST, PCB type and 12VDC coil relay.)

DIMENSIONS (UNIT:mm)

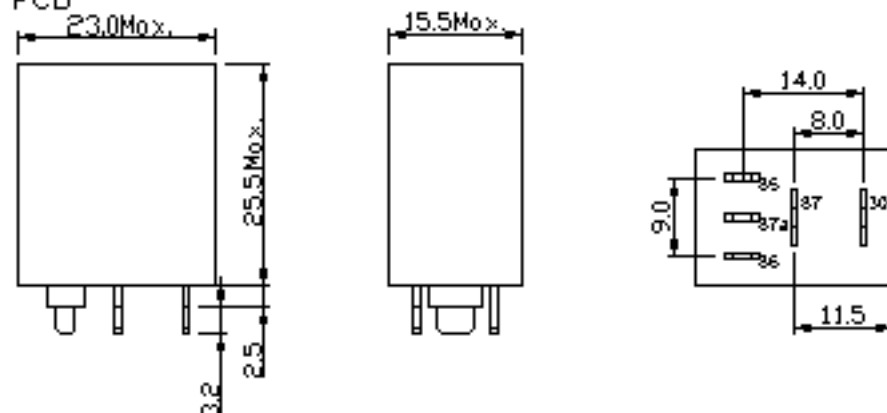
Plug in type with 4.8mm pin width for pins #85 & #86



Plug in type with 2.75mm pin width for pins #85 & #86



PCB



TERMINAL ARRANGEMENT

