

FEATURES

Miniature, high-capacity power relay ideal for incorporation in non-industrial

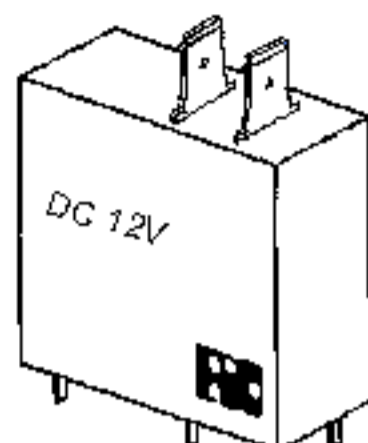
Use with motor, transformer, lamp, heater, etc.

Creepage distance of more than 8mm

Nonflammable insulating materials employed meet UL94V-0

Heavy duty, switching current up to 20A, high inrush current up to 60A.

 Recognized



SPECIFICATIONS

COIL RATING

| RATED VOLTAGE (V DC) | COIL RESISTANCE Ω +/- 10 % | RATED CURRENT (mA) | MUST OPERATE VOLTAGE | MUST DROPOUT VOLTAGE | MAXIMUM VOLTAGE | POWER CONSUMPTION (W) |
|-------------------------|--------------------------------------|-----------------------|--------------------------------|----------------------|-----------------|--------------------------|
| | | | % OF RATED VOLTAGE (At +20 °C) | | | |
| 12 | 160 | 75 | 70 Max. | 10 Min. | 110 Max. | 0.9 Approx. |
| 24 | 640 | 37.5 | | | | |
| 48 | 2560 | 18.75 | | | | |

CHARACTERISTICS

| | |
|---------------------------------|---|
| Contact Arrangement | SPST (1 FORM A) |
| Contact Material | Silver Alloy |
| Contact Resistance | 50m Ω Max. |
| Contact Rating (Resistive Load) | 20A/220VAC/30VDC; Motor : 1 1/2HP 220VAC (Motor) (Cos Φ = 0.45) |
| Switching Voltage | AC 220V Max. |
| Operate Time | 15ms |
| Release Time | 10ms |
| Insulation Resistance | 1000M Ω Min. (500V DC) |
| Dielectric Strength | 1000V AC(50Hz/min.) Between open contacts 2000V AC(50Hz/min.) Between coil and contact |
| Shock Resistance | Malfunction: 100m/s ² , Mechanical: 1000m/s ² |
| Vibration Resistance | 1.5mm Double amplitude, 10-55Hz |
| Ambient Temperature | -40°C to +70°C |
| Humidity | 45 - 85% RH |
| Operation Life | Mechanical : 5 x 10 ⁶ Electrical : 1 0 ⁵ (At rated load) |
| Weight | 42g Approx. |

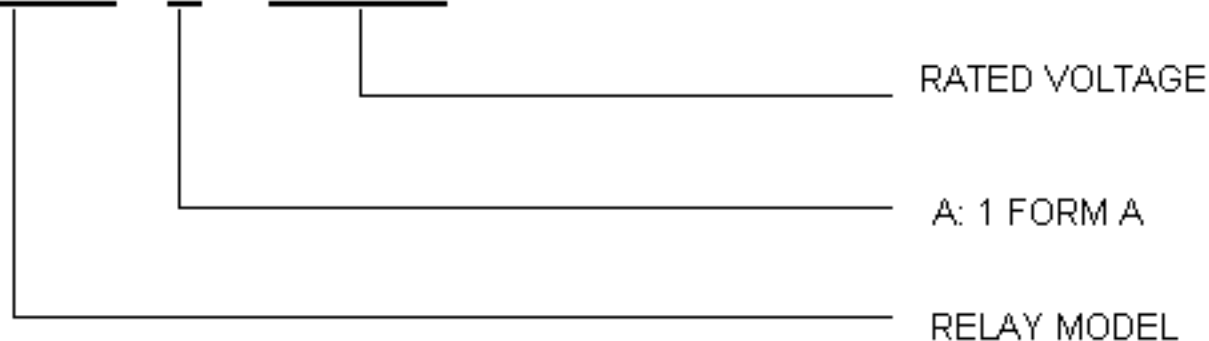
[Specifications are subject to change without notices.]

A6V

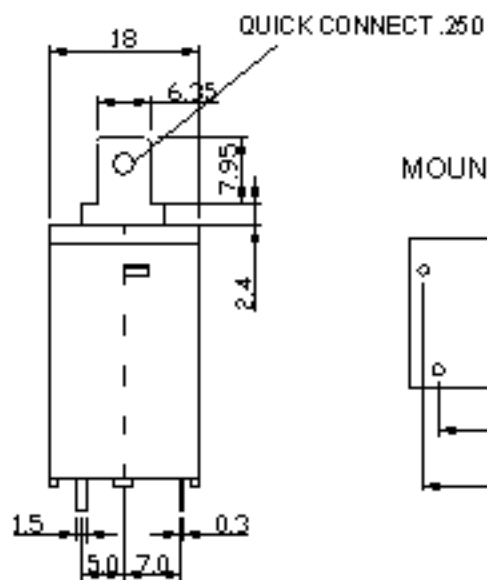
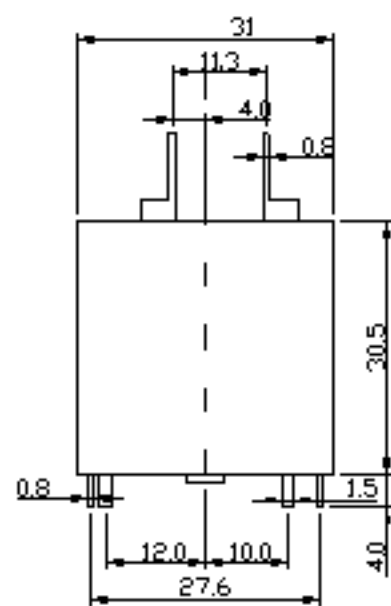
PIC RELAY

ORDERING INFORMATION

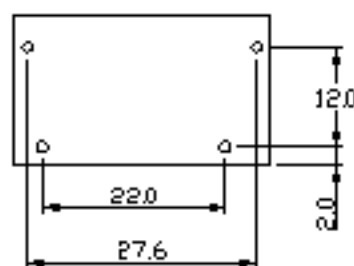
A6V - A - DC12V



DIMENSIONS (UNIT:mm)

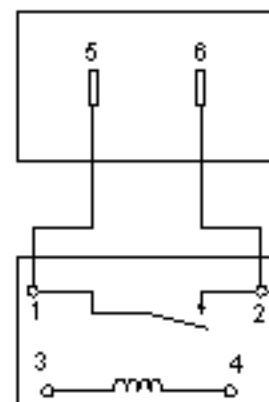


MOUNTING HOLES



TERMINAL ARRANGEMENT

TOP VIEW



BOTTOM VIEW