

## FEATURES

Miniature, high-capacity power relay ideal for incorporation in non-industrial

Used with motor, transformer, lamp, heater, etc.

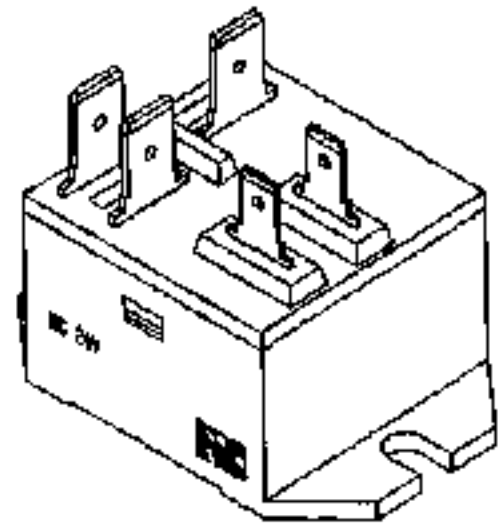
Creepage distance more than 8mm

Nonflammable insulating materials meet UL94V-0

Heavy duty, switching current up to 20A

Panel mount

 Recognized



## SPECIFICATIONS

### COIL RATING

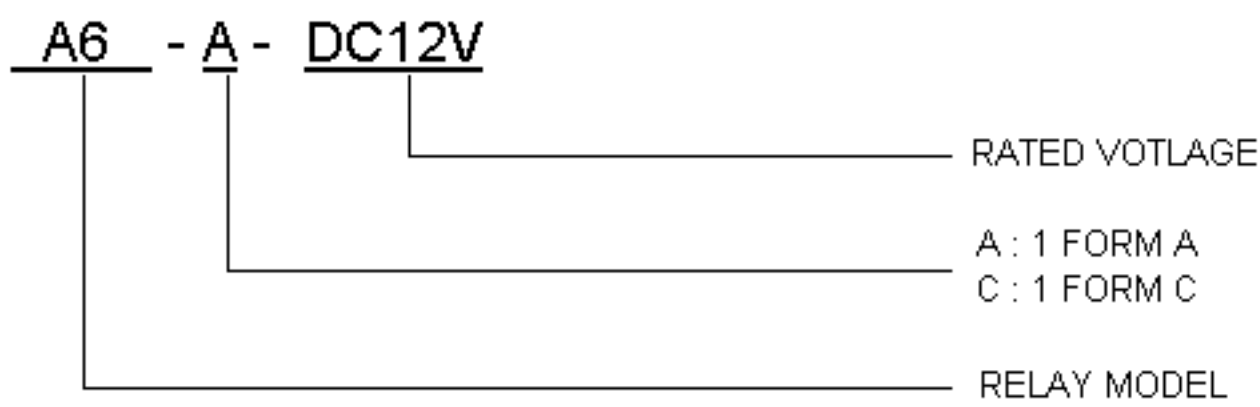
RATED VOLTAGE (V DC)	COIL RESISTANCE $\Omega$ +/- 10 %	RATED CURRENT (mA)	MUST OPERATE VOLTAGE	MUST DROPOUT VOLTAGE	MAXIMUM VOLTAGE	POWER CONSUMPTION (W)
			% OF RATED VOLTAGE (At +20 °C)			
12	160	75	70 Max.	10 Min.	110 Max.	0.9 Approx.
24	640	37.5				

### CHARACTERISTICS

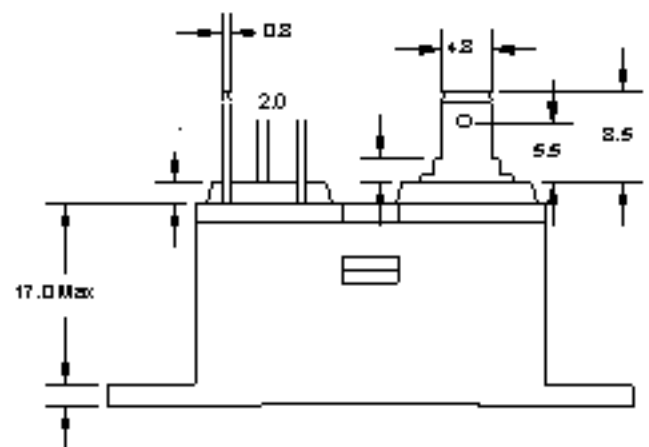
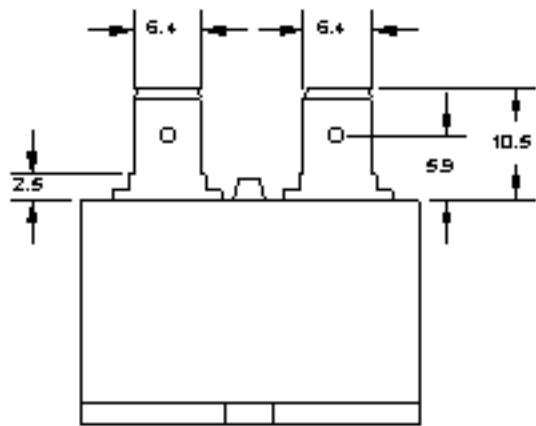
Contact Arrangement	SPST (1 Form A); SPDT (1 Form C)
Contact Material	Silver Alloy
Contact Resistance	50 m $\Omega$ Max.
Contact Rating (Resistive Load)	20A/220VAC/30VDC 1 1/2HP 220VAC
Switching Voltage	AC 220 V Max.
Operate Time	15ms
Release Time	10ms
Insulation Resistance	1000M $\Omega$ Min. (500V DC)
Dielectric Strength	1000V AC(50Hz/min.) Between open contacts 2000V AC(50Hz/min.) Between coil and contact
Shock Resistance	Malfunction: 100m/s <sup>2</sup> , Mechanical: 1000m/s <sup>2</sup>
Vibration Resistance	1.5mm Double amplitude, 10-55Hz
Ambient Temperature	-40 °C to +70 °C
Humidity	45 - 85% RH
Operation Life	Mechanical : 5 x 10 <sup>6</sup> Electrical : 10 <sup>5</sup> (At rated load)
Weight	40g Approx.

[Specifications are subject to change without notices.]

## ORDERING INFORMATION



## DIMENSIONS (UNIT:mm)



TERMINAL ARRANGEMENT  
(BOTTOM VIEW)

