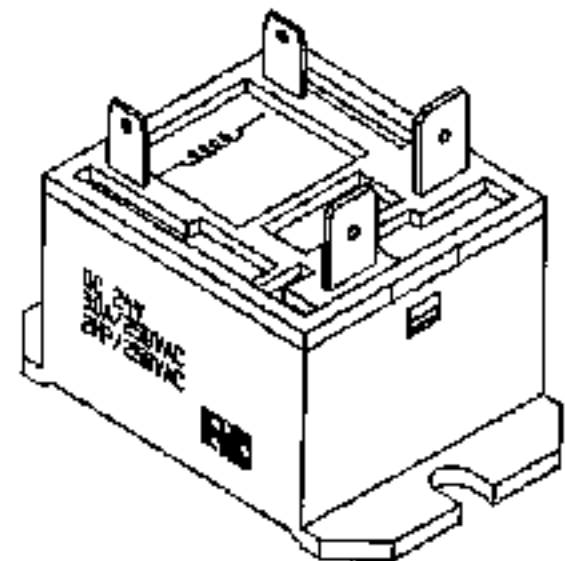


## FEATURES

- Heavy load up to 7500VA
- Panel mount
- Heavy duty, switching current up to 30A
- High inrush current 65A and high surge voltage 10,000V
- Meet with associated requirement for "UL508 industrial control equipment"
- Use with air conditioner, electrical heater, remote-controlled TV, automatic control and household electric device

 Recognized



## SPECIFICATIONS

### COIL RATING

RATED VOLTAGE (V DC)	COIL RESISTANCE $\Omega$ +/- 10 %	RATED CURRENT (mA)	MUST OPERATE VOLTAGE	MUST DROPOUT VOLTAGE	MAXIMUM VOLTAGE	POWER CONSUMPTION (W)
			% OF RATED VOLTAGE (At +20 °C)			
5	21	238	70 Max.	10 Min.	130 Max.	1.2 Approx.
6	30	200				
9	67	134				
12	120	100				
18	270	66				
24	480	50				
48	1920	25				

### CHARACTERISTICS

Contact Arrangement	SPST (1 FORM A)
Contact Material	Silver Alloy
Contact Resistance	30 m $\Omega$ Max. (Measured at 1A 24VDC)
Contact Rating (Resistive Load)	30A/250VAC; 2HP 250VAC
Switching Voltage	AC 250 V Max.
Operate Time	20ms
Release Time	5ms
Insulation Resistance	1000M $\Omega$ Min. ( 500V DC)
Dielectric Strength	1200V AC(50Hz/min.) Between open contacts 4000V AC(50Hz/min.) Between coil and contact
Shock Resistance	Malfunction: 100m/s <sup>2</sup> Mechanical: 1000m/s <sup>2</sup>
Vibration Resistance	1mm Double amplitude, 10-55Hz
Ambient Temperature	-40°C to +70°C
Humidity	20 - 85% RH
Operation Life	Mechanical : 10 <sup>6</sup> Electrical : 10 <sup>5</sup> (At rated load)
Weight	55g Approx.

[Specifications are subject to change without notices.]

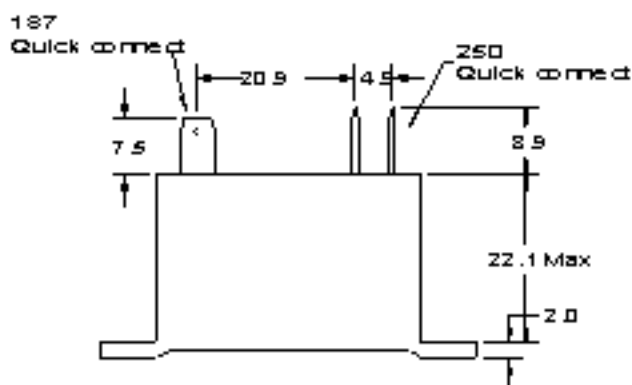
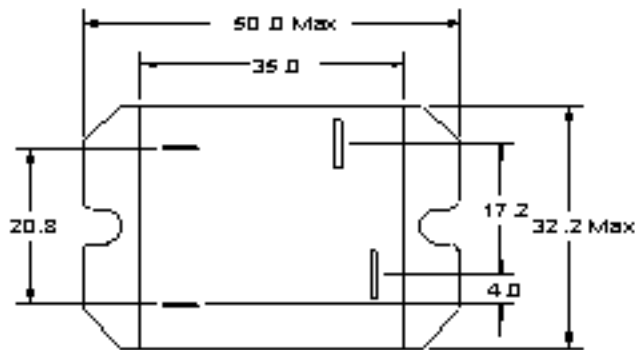
## ORDERING INFORMATION

A4 - DC12V

RATED VOLTAGE

RELAY MODEL

## DIMENSIONS (UNIT:mm)



TERMINAL ARRANGEMENT  
(BOTTOM VIEW)

