

**FEATURES**

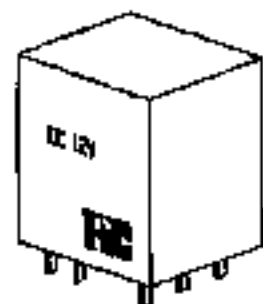
Miniature power designed for mounting on PC Board

Small size and light weight

Low cost and high performance

Switching capacity up to 15A

Open type, dust cover or sealed type

**SPECIFICATIONS****COIL RATING**

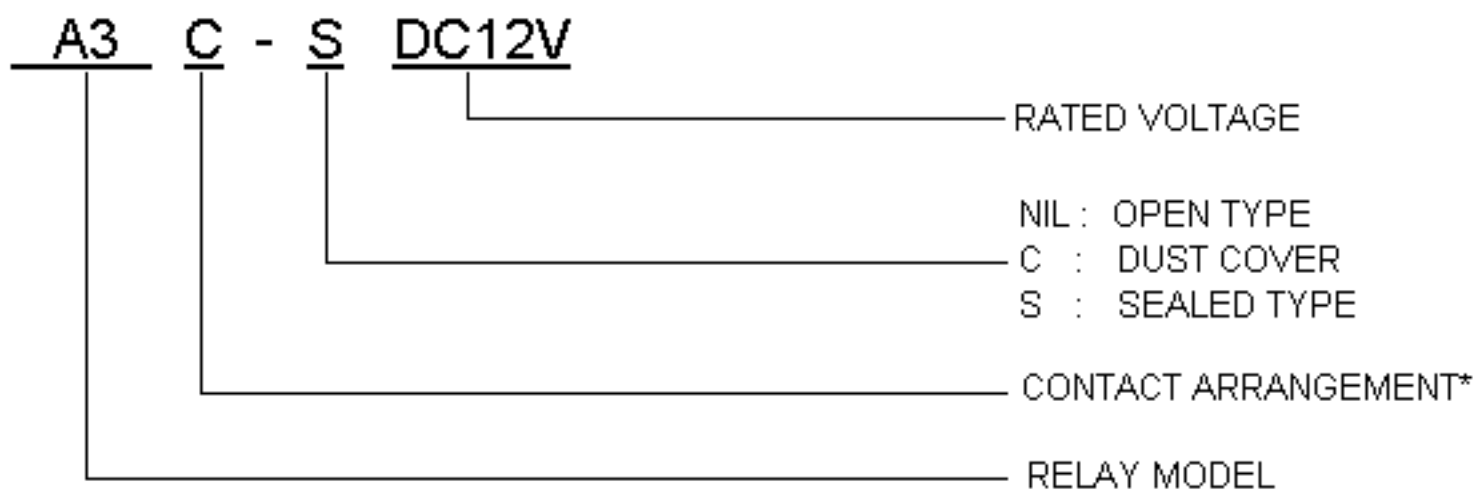
RATED VOLTAGE (V DC)	COIL RESISTANCE $\Omega$ +/- 10 %	RATED CURRENT (mA)	MUST OPERATE VOLTAGE	MUST DROPOUT VOLTAGE	MAXIMUM VOLTAGE	POWER CONSUMPTION (W)
			% OF RATED VOLTAGE (At +20 °C)			
6	30	200	75 Max.	15 Min.	130 Max.	1.2 Approx.
12	120	100				
24	480	50				

**CHARACTERISTICS**

Contact Arrangement	1 Form A, 1 Form B, 1 Form C, 1 Form U, 1 Form V, 1 Form W.
Contact Material	Silver Alloy
Contact Resistance	100m $\Omega$ Max.
Contact Rating (Resistive Load)	1 Form A (NO) 15A 14VDC 1 Form C (NO) 15A 14VDC; (NC) 10A 14VDC 1 Form U (NO-DM) 2 X 10A/14VDC 1 Form V (NC-DB) 2 x 7A/14VDC
Switching Voltage	DC 75V Max.
Operate Time	6ms
Release Time	3ms
Insulation Resistance	100M $\Omega$ Min. (500V DC)
Dielectric Strength	750V AC(50Hz/min.) Between open contacts 1500V AC(50Hz/min.) Between coil and contact
Shock Resistance	10g Approx.
Vibration Resistance	1.27mm Double amplitude, 10-40Hz.
Ambien Dielectric Strength	Storage : -40°C to +130°C      Operating : -40°C to +85°C
Humidity	20 - 85% RH
Operation Life	Mechanical : $10^7$ Electrical : $10^6$ (At rated load)
Weight	9g Approx. (Open type), 12g Approx. (Sealed type)

[Specifications are subject to change without notices.]

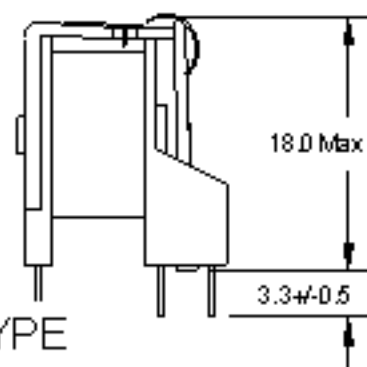
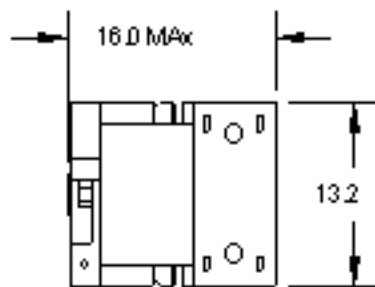
## ORDERING INFORMATION



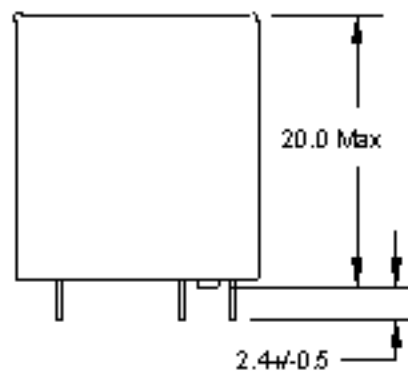
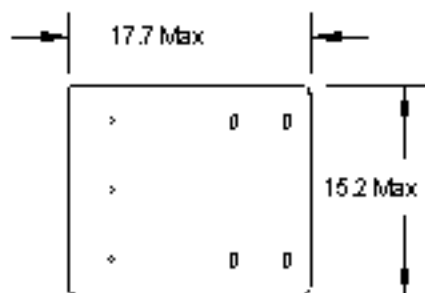
\* CONTACT ARRANGEMENT: A: 1 FORM A, B: 1 FORM B, C: 1 FORM C, U: 1 FORM U, V: 1 FORM V, W: 1 FORM W.

## DIMENSIONS (Unit:mm)

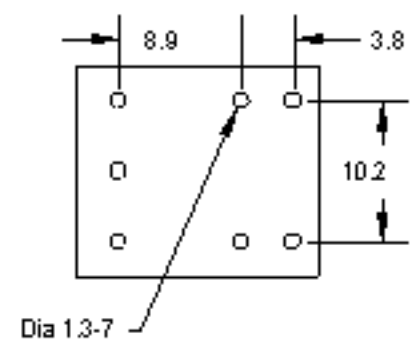
### OPEN TYPE



### DUST COVER TYPE / SEALED TYPE



### MOUNTING HOLES



### TERMINAL ARRANGEMENT (BOTTOM VIEW)

