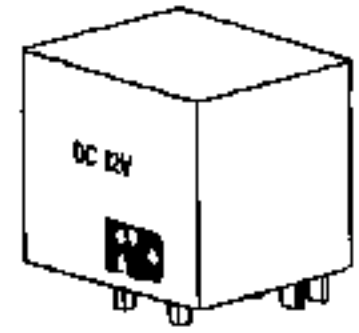


FEATURES

- Miniature high power designed for P.C. Board
- Automobile relay with high switching power
- Capable of switching lamp 150W or 14VDC 40A (resistive load)
- Low cost and high performance
- European(11mm) and USA(8mm) footpins
- Open type, dust cover or sealed type



SPECIFICATIONS

COIL RATING

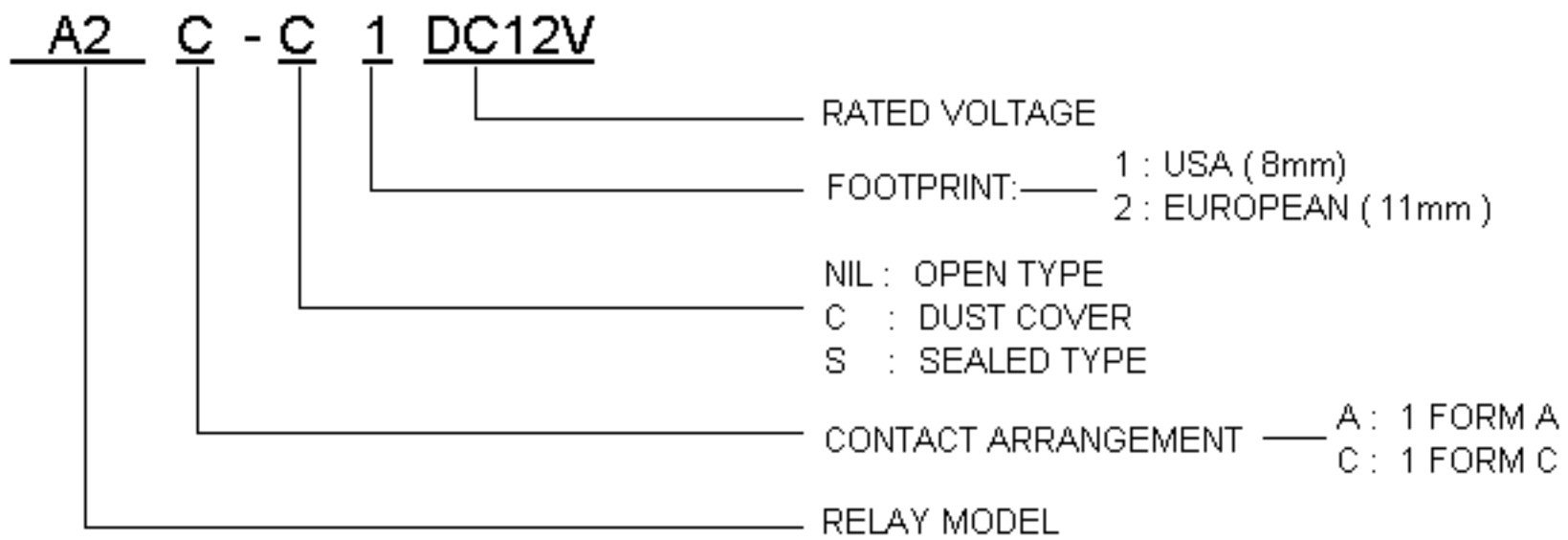
RATED VOLTAGE (V DC)	COIL RESISTANCE Ω +/- 10 %	RATED CURRENT (mA)	MUST OPERATE VOLTAGE	MUST DROPOUT VOLTAGE	MAXIMUM VOLTAGE	POWER CONSUMPTION (W)
			% OF RATED VOLTAGE (At +20 °C)			
6	19	315	70 Max.	10 Min.	130 Max.	1.6 Approx.
12	90	133				
24	362	66				

CHARACTERISTICS

Contact Arrangement	SPST (1 Form A); SPDT (1 Form C)
Contact Material	Silver Alloy
Contact Resistance	50m Ω Max.
Contact Rating (Resistive Load)	NO : 40A/14VDC NC : 30A/14VDC
Switching Voltage	DC 75V Max.
Operate Time	5ms Max.
Release Time	3ms Max.
Insulation Resistance	100M Ω Min.(500V DC)
Dielectric Strength	750V AC(50Hz/min.) Between open contacts 750V AC(50Hz/min.) Between coil and contact
Shock Resistance	20g Approx.
Vibration Resistance	1.27mm Double amplitude, 10-40Hz
Ambient Temperature	Storage : -40°C to +130°C Operation : -40°C to +85°C
Humidity	20 - 85% RH
Operation Life	Mechanical : 10 ⁷ Electrical : 10 ⁵ (At rated load)
Weight	(Open type) 18g Approx. , (Sealed type) 23g Approx.

[Specifications are subject to change without notices.]

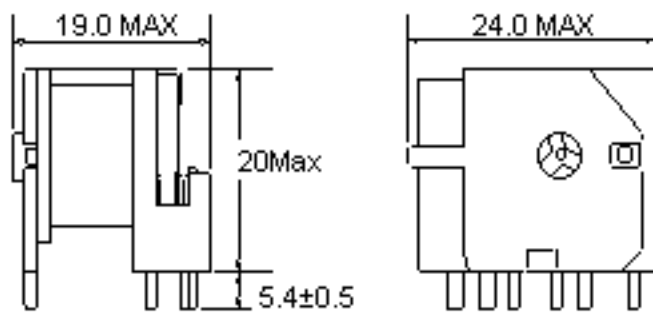
ORDERING INFORMATION



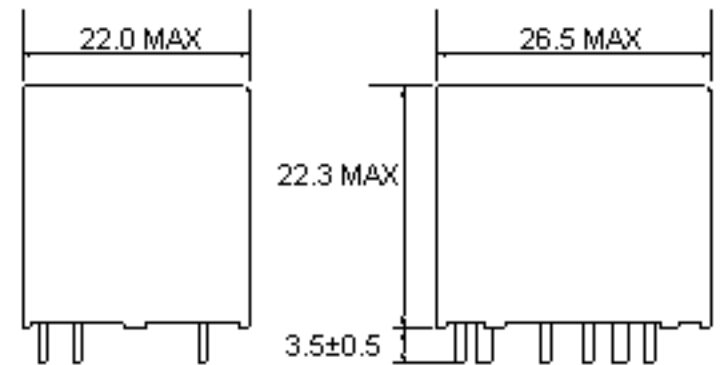
(i.e. A2A-1 DC12V is a SPST, open type, USA footpin and 12V DC coil relay.)

DIMENSIONS(Unit:mm)

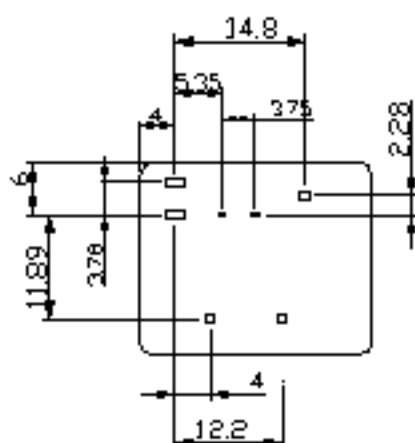
OPEN TYPE



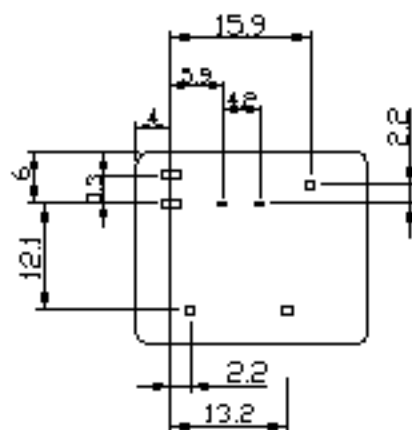
SEALED TYPE



USA FOOTPRINT (8MM)
(BOTTOM VIEW)
A2X-X1



EUROPEAN FOOTPRINT (11MM)
(BOTTOM VIEW)
A2X-X2



WIRING DIAGRAMS

1 FORM A (SPST)



1 FORM C (SPDT)

