

Miniature Double Relay

FEATURES

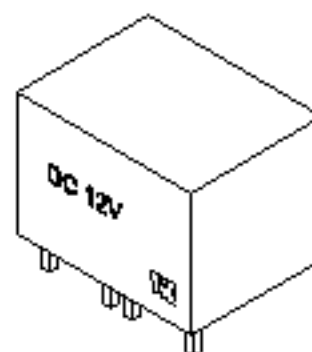
Miniature and light weight twin relay

PCB Mounting

Use for car control

(I.e. alarm, door, locking system, etc.)

Sealed type is available.



SPECIFICATIONS

COIL RATING

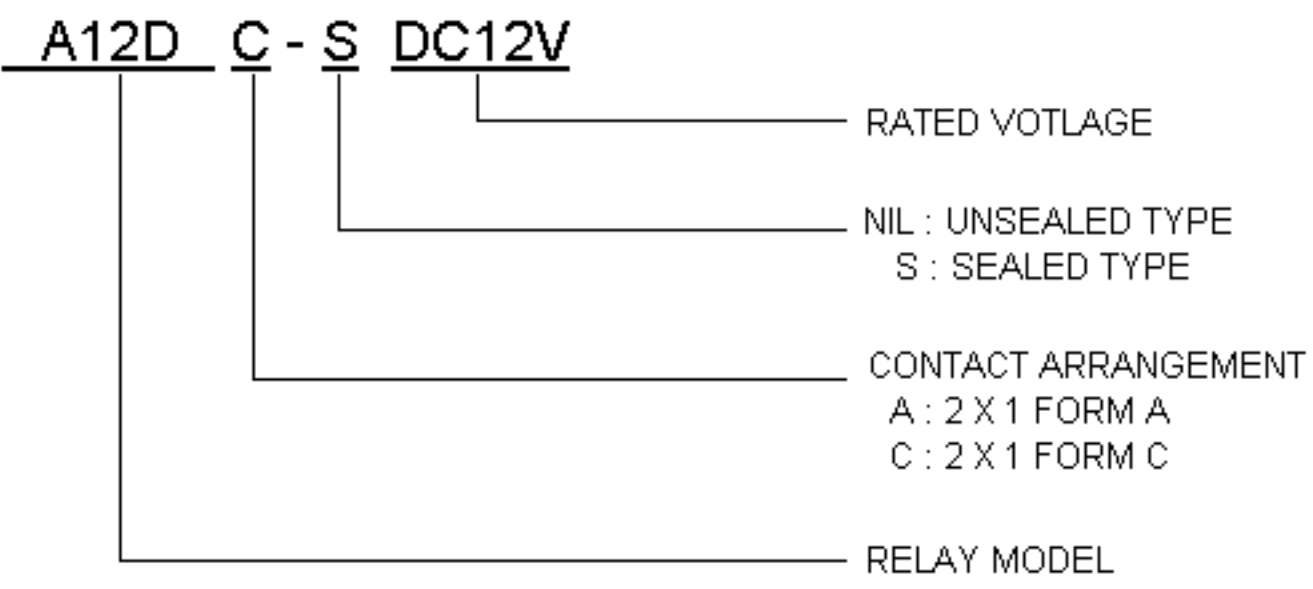
RATED VOLTAGE (V DC)	COIL RESISTANCE Ω +/- 10 %	RATED CURRENT (mA)	MUST OPERATE VOLTAGE	MUST DROPOUT VOLTAGE	MAXIMUM VOLTAGE	POWER CONSUMPTION (W)
			% OF RATED VOLTAGE (At +20 °C)			
5	55	91	75 Max.	5 Min.	130	0.45
6	80	75				
9	180	50				
12	320	37.5				
24	1280	18.8				

CHARACTERISTICS

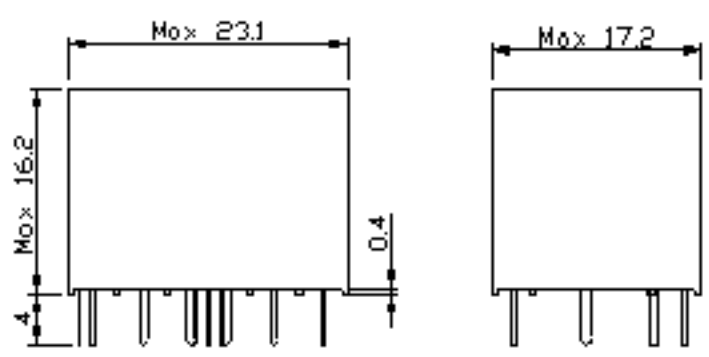
Contact Arrangement	2 x SPST (1 Form A); 2 x SPDT (1 Form C)
Contact Material	Silver Alloy
Contact Resistance	100 m Ω Max.
Contact Rating (Resistive Load)	NO : 15A/15VDC 10A 24VDC NC : 10A/15VDC 7A 24VDC
Switching Voltage	DC 30V
Operate Time	10ms Max.
Release Time	5ms Max.
Insulation Resistance	100M Ω Min. (500V DC)
Dielectric Strength	500V AC(50Hz/min.) Between open contacts 1000V AC(50Hz/min.) Between coil and contact
Shock Resistance	10g
Vibration Resistance	10-55Hz, 1.5mm Double Amplitude
Ambient Temperature	-30 °C to +80 °C
Humidity	45 - 85% RH
Operation Life	Mechanical : 10^7 Electrical : 10^5 (At rated load)
Weight	15g Approx.

[Specifications are subject to change without notices.]

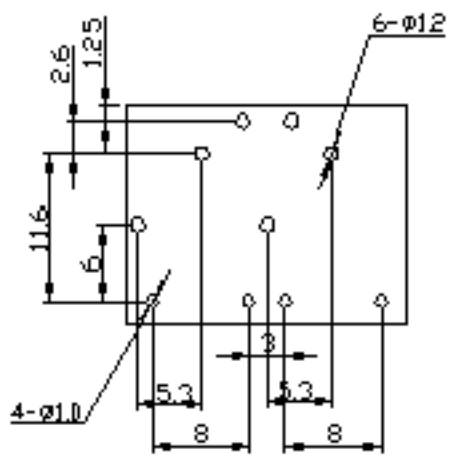
ORDERING INFORMATION



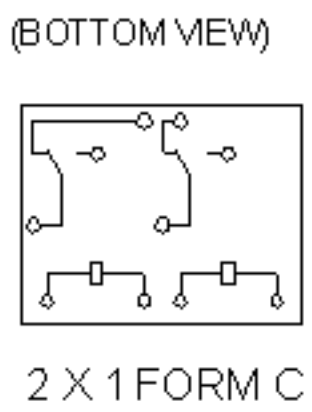
DIMENSIONS (UNIT:mm)



MOUNTING HOLDES

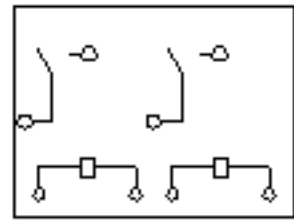


TERMINAL ARRANGEMENT (BOTTOM VIEW)



2 X 1 FORM C

TERMINAL ARRANGEMENT (BOTTOM VIEW)



2 X 1 FORM A