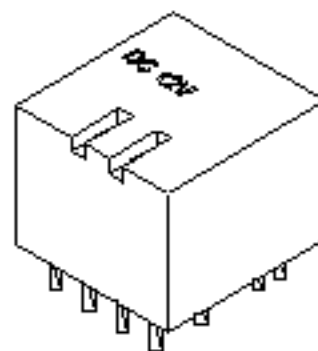


## Double Mini & Silent Type Relay

### FEATURES

- Miniature & light weight twin relay
- Silent version is available
- Use for car control applications
- PCB terminal in grid 1.25 - 1.27mm
- Sealed type is available.



### SPECIFICATIONS

#### COIL RATING (At 20°C)

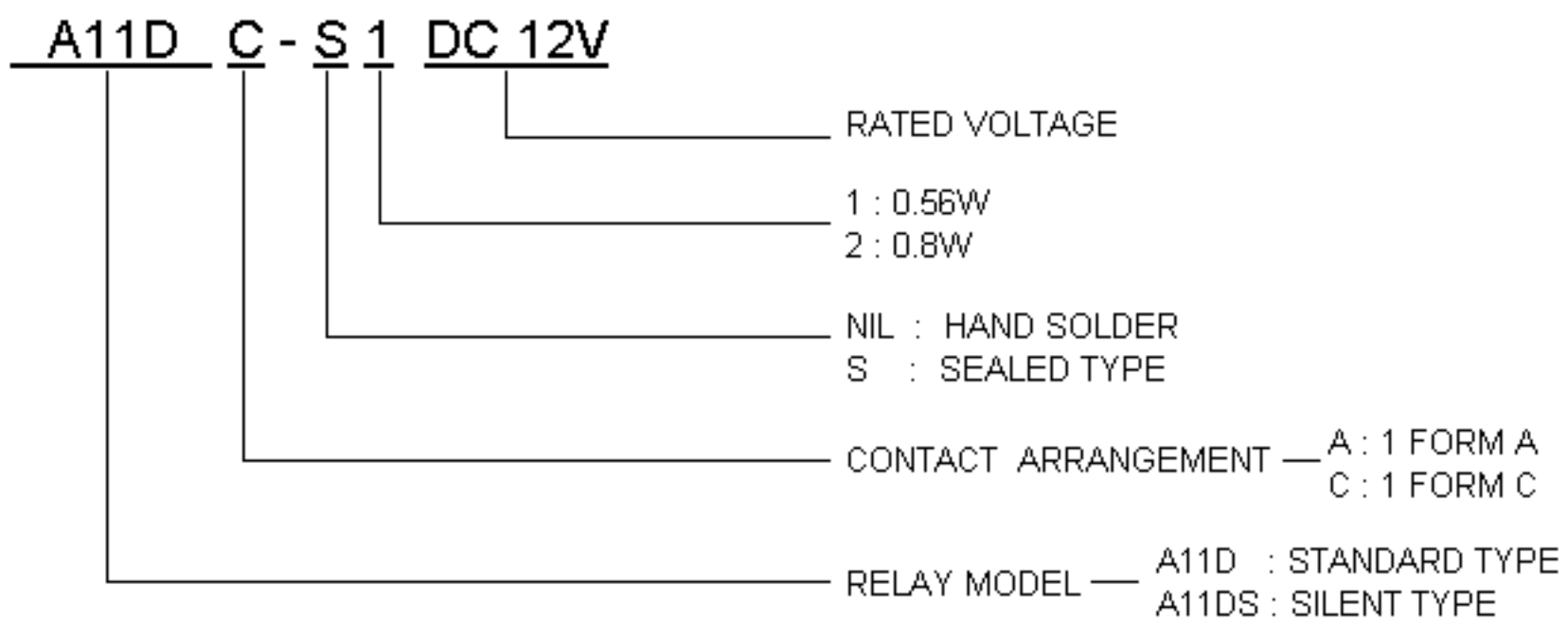
RATED VOLTAGE (V DC)	COIL RESISTANCE ( $\Omega$ +/- 10 %)	MUST OPERATE VOLTAGE (V DC)	MUST DROPOUT VOLTAGE (VDC)	MAXIMUM VOLTAGE (V DC)	POWER CONSUMPTION (W)
		% OF RATED VOLTAGE (AT +20°C)			
12	255	6.9 Max.	1 Min.	18	A11D(S)-1 : 0.56
	178	5.8 Max.	0.8 Min.	18	A11D(S)-2 : 0.8

### CHARACTERISTICS

Contact Arrangement	2 X SPST (1 Form A); 2 x SPDT (1 Form C)
Contact Material	Silver Alloy
Contact Resistance	100m $\Omega$ Max.
Contact Rating (Resistive Load)	20A 14VDC
Maximum Switching Voltage	40V DC
Maximum Switching Current (Off)	35A
Operate Time	5ms Max.
Release Time	3ms Max.
Insulation Resistance	100M $\Omega$ Min. ( 500V DC)
Dielectric Strength	500V AC(50Hz/min.)
Shock Resistance	6ms up to 30g
Vibration (Resistance)	6g (10 - 200 Hz)
Ambient Temperature	-40°C to +85°C
Humidity	93% at 40°C
Operation Life	Mechanical : 10 <sup>7</sup>
	Electrical : 2 x 10 <sup>5</sup> (At rated load)
Weight	A11D : 11g Approx.      A11DS : 17g Approx.

[Specifications are subject to change without notices.]

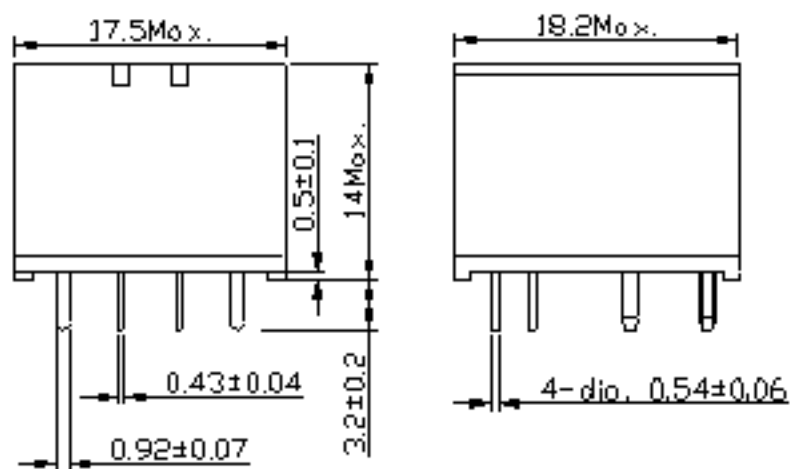
## ORDERING INFORMATION



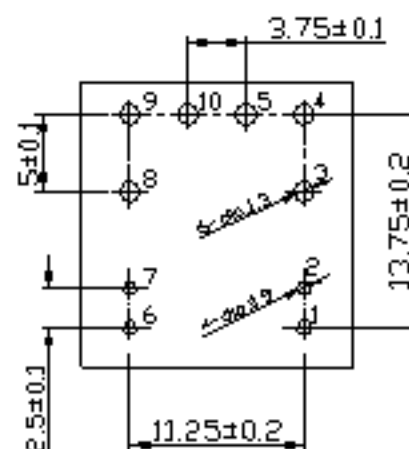
(I.e. A11DC-S DC 12V is a relay with SPDT (X2), fully sealed version and 12VDC.)

## DIMENSIONS (UNIT:mm)

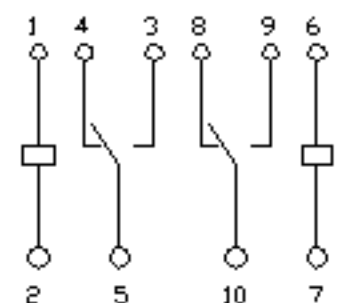
### A11D - STANDARD TYPE



### MOUNTING HOLES



### TERMINAL ARRANGEMENT (BOTTOM VIEW)



### A11DS - SILENT TYPE

