

A10T

PIC RELAY

20 AMP DC MOTOR REVERSING RELAY

FEATURES

H-bridge motor reversing arrangement

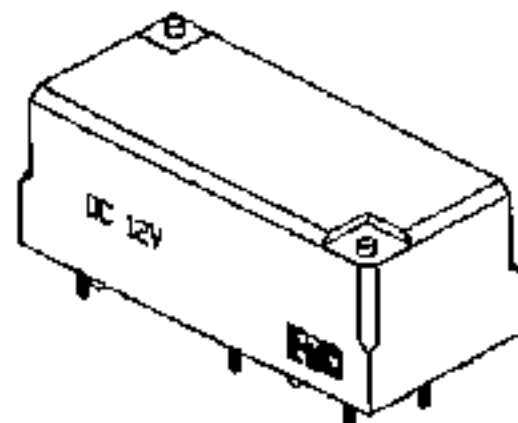
Small size and light weight

Operation to 105°C ambient

Low cost and high performance

Switching rating up to 20Amp

Dust cover or sealed type



SPECIFICATIONS

COIL RATING

RATE VOLTAGE (V DC)	COIL RESISTANCE Ω +/- 10 %		MUST OPERATE VOLTAGE	MUST DROPOUT VOLTAGE	MAXIMUM VOLTAGE	POWER CONSUMPTION (W)
	A10T-1	A10T-2	% OF RATED VOLTAGE (AT +20°C)			
12	150	225	A10T-1 : 50 A10T-2 : 56	10T-1 : 7.5 10T-2 : 10	120 Max.	A10T-1 : 0.93 A10T-2 : 0.64

CHARACTERISTICS

Contact Arrangement	2 X 1 Form C (H-Bridge)
Contact Material	AGSNO2 (Please consult factory for other contact materials)
Contact Resistance	100 m Ω Max.
Contact Rating(resistive load)	20A,16VDC
Switching Voltage	24VDC
Operate Time	5 ms Max.
Release Time	2 ms Max.
Insulation Resistance	100M Ω min.(500V DC)
Dielectric Strength	500V AC(50Hz/min) Between open contact 500V AC(50Hz/min) Between coil and contact
Shock resistance	20g Approx.
Vibration	10-40Hz, Amplitude 1.27mm.
Ambient Temperature	-40°C to + 105°C
Operation Life	Mechanical : 10 ⁷ Electrical : 10 ⁵
Weight	24g Approx.

[Specifications are subject to change without notices]

ORDERING INFORMATION

A10T - 1 S - DC12V

RATED VOLTAGE

NIL : DUST COVER

S : SEALED TYPE

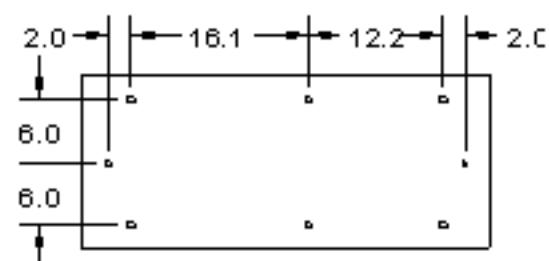
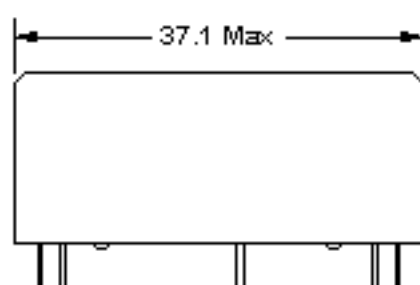
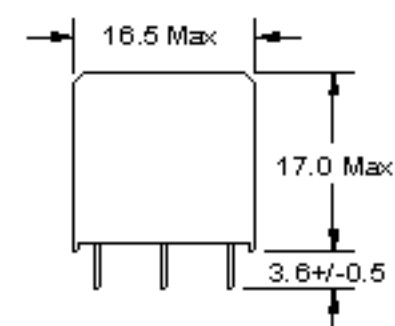
POWER CONSUMPTION

1 : 0.93W

2 : 0.64W

RELAY MODEL

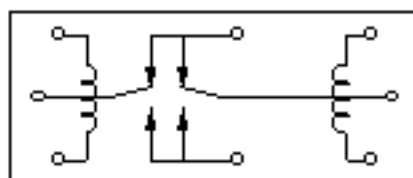
DIMENSIONS (UNIT : mm)



MOUNTING HOLES



TERMINAL ARRANGEMENT
(BOTTOM VIEW)



TYPICAL APPLICATION
SCHEMATIC

