

S13M

PIC RELAY

CAR CONTROL - SINGLE & TWIN PCB RELAY

FEATURES

Light weight & compact size

Switching capacity up to 25A motor lock load

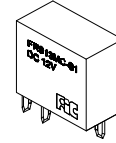
High performance PCB relay

H Bridge contact configuration available

Car automatic applications :

Power window, power door lock, seat adjustment, sunroof, wiper control, etc.

Fully sealed version



SPECIFICATIONS

COIL RATING

RATED VOLTAGE (V DC)	COIL RESISTANCE Ω +/-10 %	RATED CURRENT (mA)	MUST OPERATE VOLTAGE	MUST DROPOUT VOLTAGE	MAXIMUM VOLTAGE	POWER CONSUMPTION (W)
			VDC	VDC	VDC	
12	225	53.5	(At +20 °C)			0.64
			7.2 Max.	1.0 Min.	16	
	180	66.7	6.5 Max.	1.0 Min	16	0.8

CHARACTERISTICS

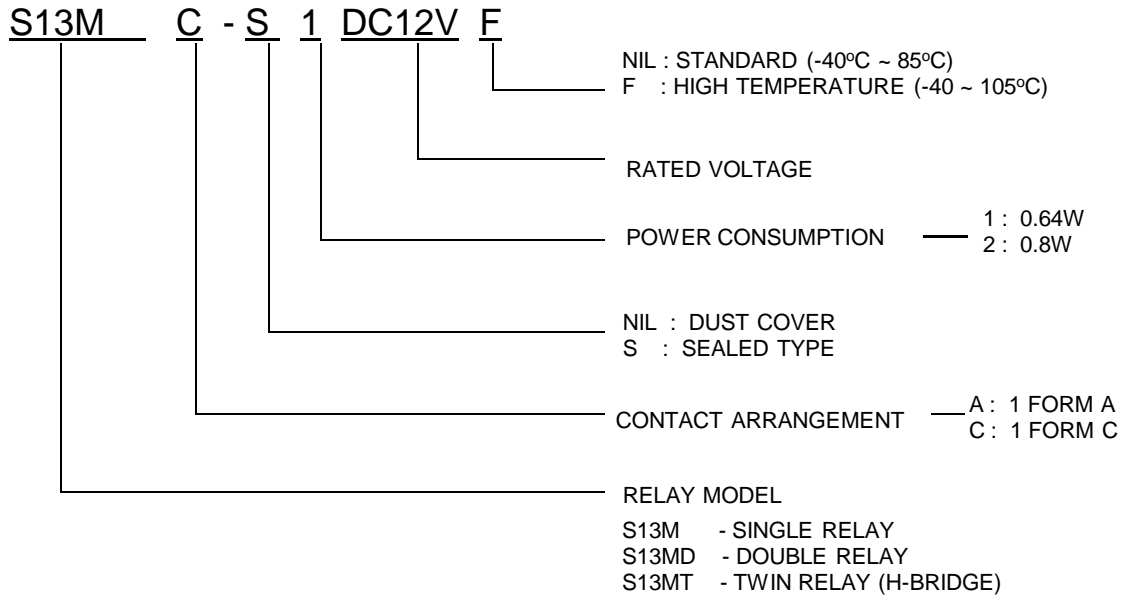
Contact Arrangement	SPST (1 Form A) SPDT (1 Form C)
Contact Material	Silver Alloy
Contact Resistance	100m Ω Max.
Contact Rating	25A 14VDC <Motor Load>
Switching Current	30A Max.
Switching Voltage	DC16V Max.
Operate Time (Initial)	10ms Max.
Release Time (Initial)	5ms Max.
Insulation Resistance	100M Ω Min. (500VDC)
Dielectric Strength	500VAC (50Hz/min)
Shock Resistance	Functional : 98m/s ² 11ms Mechanical : 980m/s ² 11ms
Vibration Resistance	43.1m/s ² 10Hz - 500Hz (Acceleration)
Ambient Temperature	-40°C to +85°C For F type : -40°C to +105°C
Operation Life	Mechanical : 10 ⁶ Electrical : 10 ⁵
Weight	S13M : 4.1g Approx. S13M T/D : 7.5g Approx.

[Specifications are subject to change without notices.]

S13M

PIC RELAY

ORDERING INFORMATION



Note : RoHS compliant relays are available.

For ordering, please add the correct suffix into standard relay part numbers.

For examples :

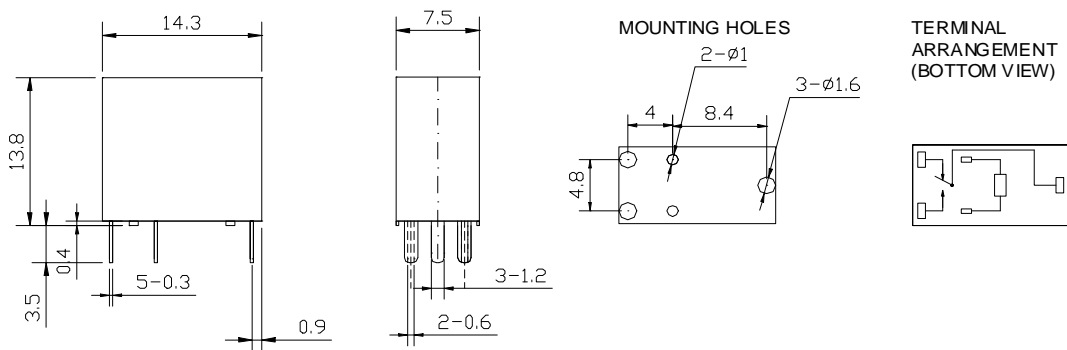
S13MC-S1 DC 12V "RoHS" for RoHS Compliant Relay

S13MC-S1 DC 12V "RoHS-I" for RoHS Compliant Relay specifying for AgNi contact material

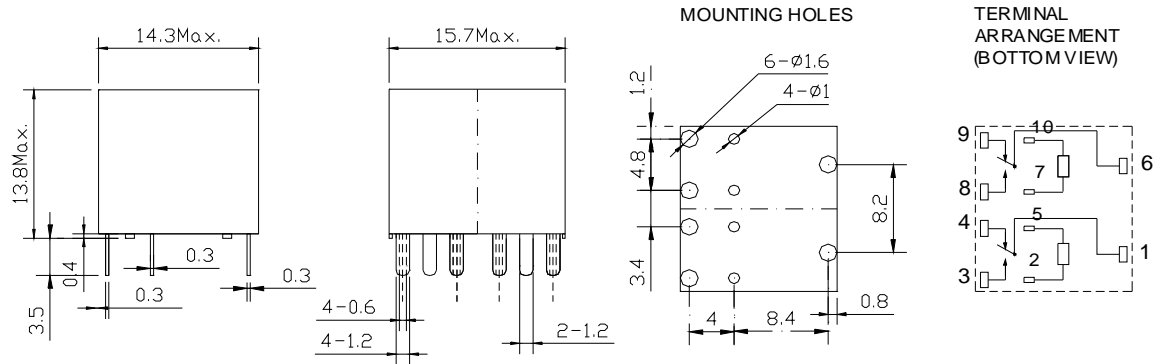
S13MC-S1 DC 12V "RoHS-N" for RoHS Compliant Relay specifying for AgSnO₂ contact material

DIMENSIONS (UNIT:mm)

S13M - Single Relay



S13MD - Double Relay



S13MT - Twin (H Bridge) Relay

